

VAILLANT SPARE PART CATALOGUE

FREE STANDING GAS BOILERS

VKS 35 E - 93 E

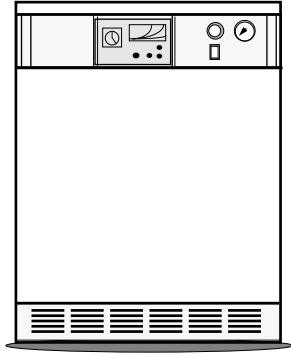
VKS 35/1 E - 93/1 E

VK 35/1 - 93/1 E

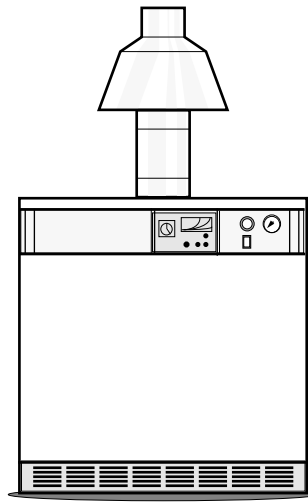


8025 90 GB 09/96

View of appliances



VKS 35 E, 41 E
VKS 35/1 E, 41/1 E, 48/1 E
VK 35/1 E, 41/1 E, 48/1 E

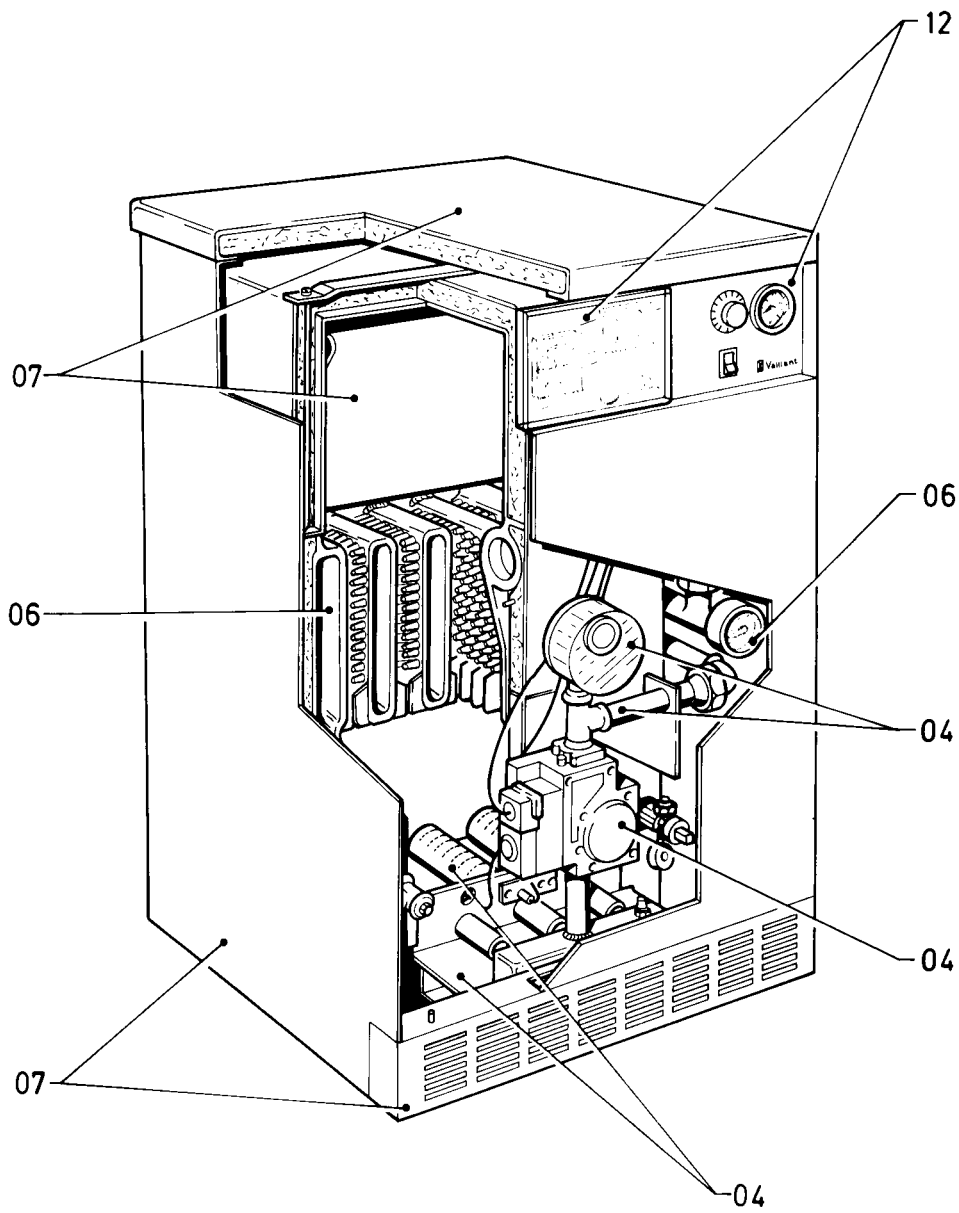


VKS 47 E, 58 E, 76 E, 93 E
VKS 47/1 E, 58/1 E, 76/1 E, 93/1 E
VK 58/1 E, 76/1 E, 93/1 E

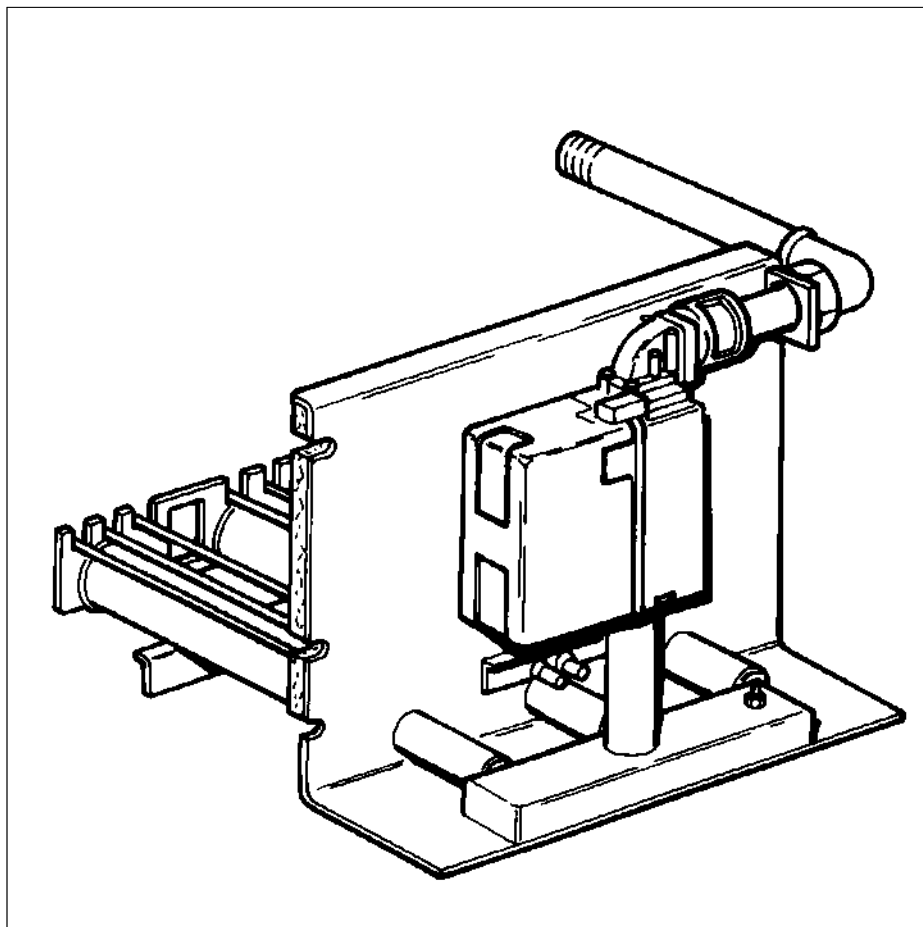
Content

| | Page |
|--|---------|
| General view sheet | 2 |
| Main component 04 Burner and gas section | 3 - 15 |
| Main component 06 Boiler section | 17 - 23 |
| Main component 07 Casing | 25 - 39 |
| Main component 10 Flue gas sensor | 41 - 43 |
| Main component 12 Control panel | 45 - 53 |

General view sheet



Main component 04

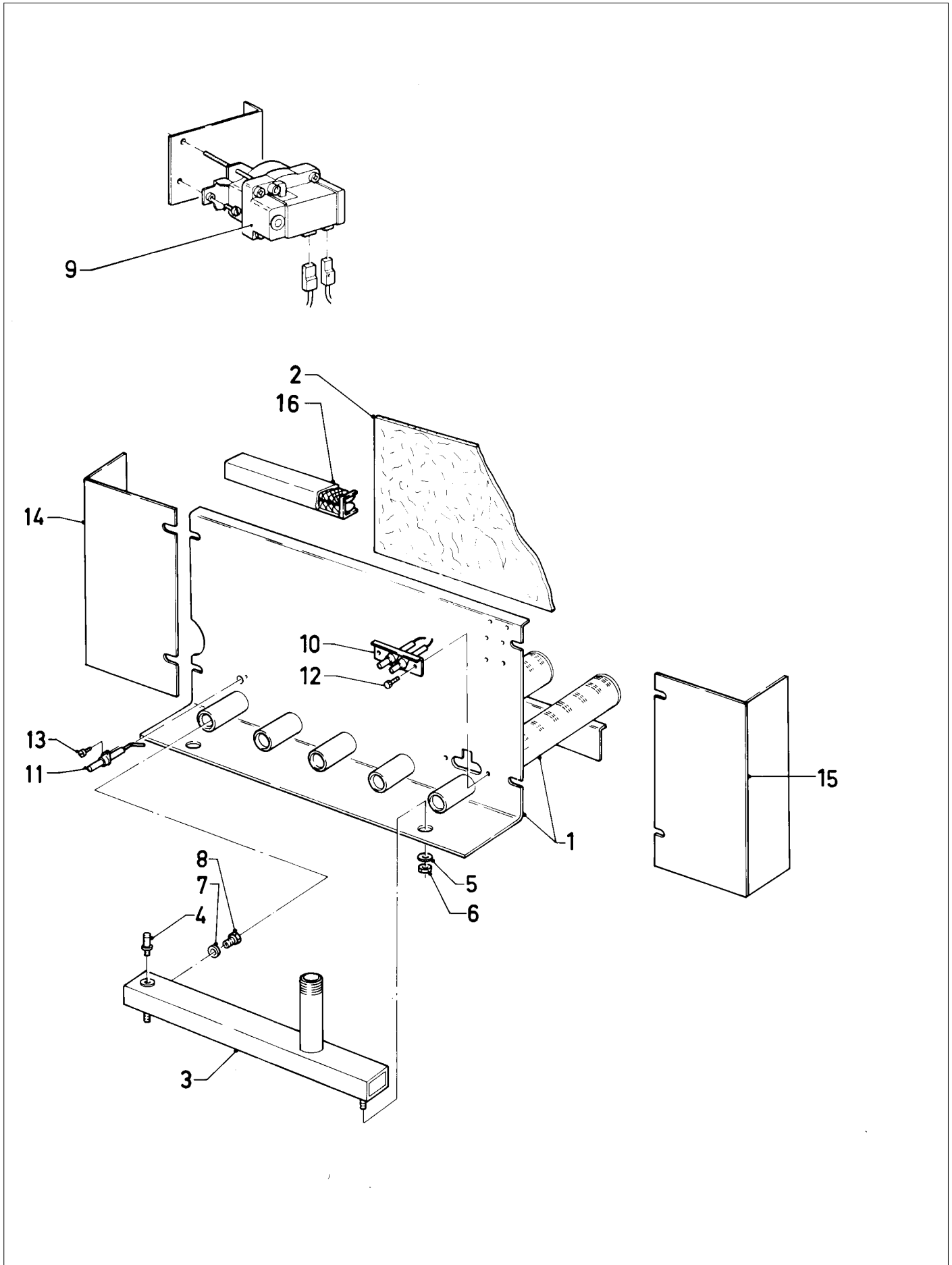


| | Page |
|------------------------------------|---------|
| Burner | |
| VKS 35 E - 93 E | |
| VKS 35/1 E/EU - 93/1 E/EU | |
| VK 35/1 E/EU - 93/1 E/EU | 4 - 5 |
| Gas supply connection | |
| VKS 35 E, 41 E | 6 - 7 |
| Gas supply connection | |
| VKS 47 E - 93 E | 8 - 9 |
| Gas supply connection | |
| VKS 35/1 E, 41/1 E, 47/1 E, 48/1 E | |
| VK 35/1 E, 41/1 E, 48/1 E | 10 - 11 |
| Gas supply connection | |
| VKS 58/1 E - 93/1 E | |
| VK 58/1 E - 93/1 E | 12 - 13 |
| Gas section | |
| VKS 35 E - 93 E | |
| VKS 35/1 E/EU - 93/1 E/EU | |
| VK 35/1 E/EU - 93/1 E/EU | 14 - 15 |

Main component 04 Burner

VKS 35 E - 93 E

VKS 35/1 E/EU - 93/1 E/EU , VK 35/1 E/EU - 93/1 E/EU



Main component 04 Burner

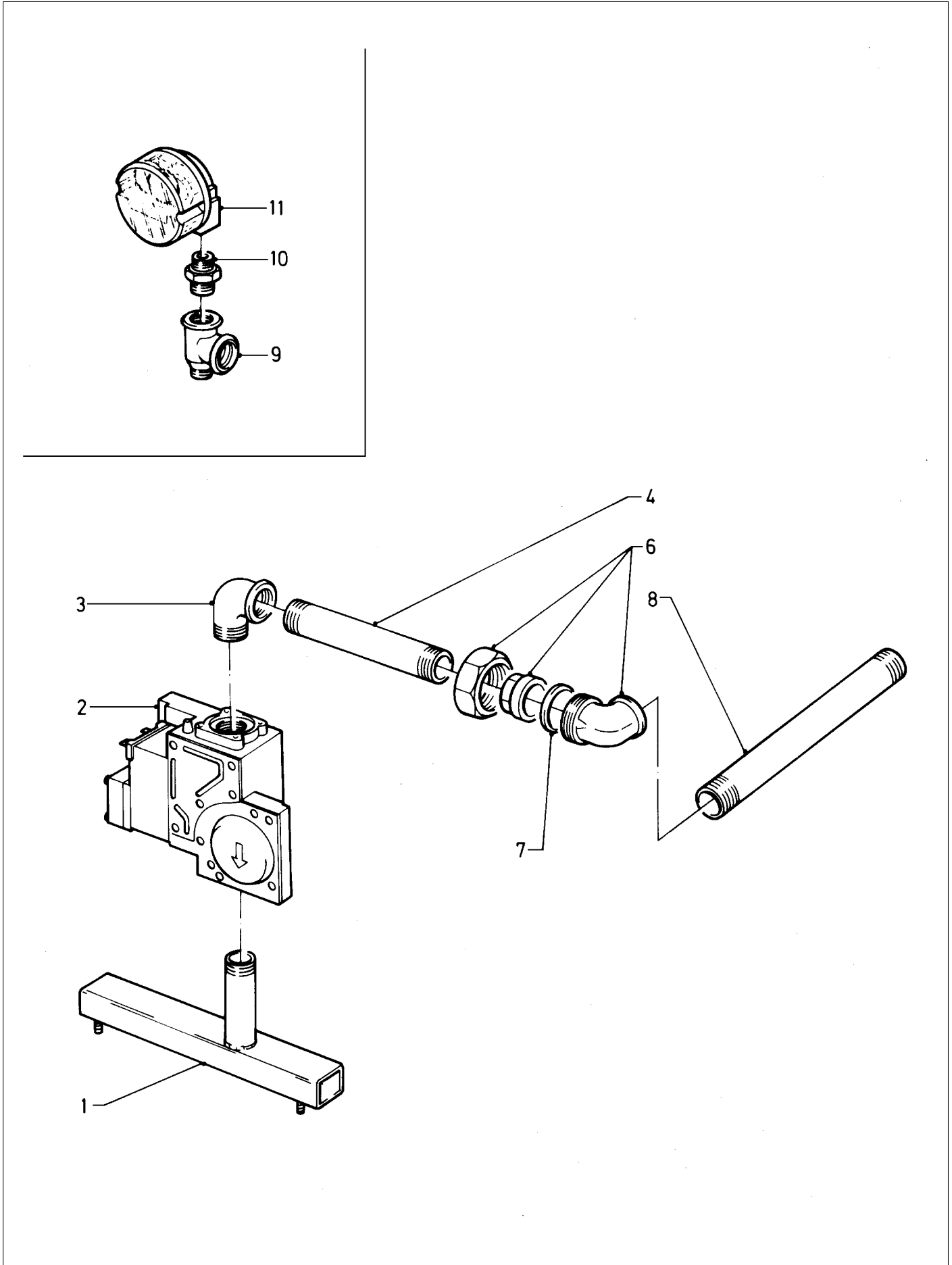
VKS 35 E - 93 E

VKS 35/1 E/EU - 93/1 E/EU , VK 35/1 E/EU - 93/1 E/EU

| Pict. No. | Article-No. | Part | Indic. | Type, Remarks |
|-----------|---|--|--------|---|
| 1 | 04-1294 04-1295 04-1296 04-1297 04-1298 04-1299 | burner burner burner burner burner burner | | VKS-VK 35 E, 35/1 E VKS-VK 41 E, 41/1 E VKS-VK 47 E, 47/1 E, 48/1 E VKS-VK 58 E, 58/1 E VKS-VK 76 E, 76/1 E VKS-VK 93 E, 93/1 E } with part 2 |
| 2 | 07-6604 99-0249 | insulation adhesive (1 kg) | | for insulation (not shown) |
| 3 | - | gas supply connections | | see page 6 onwards |
| 4 | 04-0248 | test nipple | | |
| 5 | 07-0027 | washer | | |
| 6 | 11-4848 | nut | | |
| 7 | 98-0424 | packingring | | |
| 8 | 24-0515 24-0580 24-0609 24-0577 24-0634 24-0571 24-0634 | burner nozzle (D 2,80) burner nozzle (D 2,70) burner nozzle (D 2,50) burner nozzle (D 2,60) burner nozzle (D 1,55) burner nozzle (D 1,50) burner nozzle (D 1,55) | | VKS-VK 35 E, 35/1 E H VKS-VK 41 E, 41/1 E H VKS-VK 47 E, 47/1 E, 48/1 E H VKS-VK 58 E - 93 E, 58/1 E - 93/1 E H VKS-VK 35 E, 35/1 E B VKS-VK 41 E, 41/1 E, 47 E, 47/1 E, 48/1 E B VKS-VK 58 E, 58/1 E, 76 E, 76/1 E, 93 E, 93/1 E B |
| 9 | 10-0334 | temperature limiter | | spare parts see main component 10 page 42 onwards |
| 10 | 09-0671 | ignition electrode | | |
| 11 | 09-0686 | control electrode | | |
| 12 | 13-0005 | screw | | |
| 13 | 11-9104 | screw | | |
| 14 | 45-8225 45-5439 | cover plate cover plate | | VKS-VK 35 E, 35/1 E, 41 E, 41/1 E, 48/1 E VKS-VK 47 E, 47/1 E, 58 E, 58/1 E, 76 E, 76/1 E, 93 E, 93/1 E |
| 15 | 45-8225 07-0430 | cover plate cover plate | | VKS-VK 35 E, 35/1 E, 41 E, 41/1 E, 48/1 E VKS-VK 47 E, 47/1 E, 58 E, 58/1 E, 76 E, 76/1 E, 93 E, 93/1 E |
| 16 | 29-9825 29-9826 29-9827 29-9828 29-9829 29-9830 | sealing profile sealing profile sealing profile sealing profile sealing profile sealing profile | | VKS-VK 35 E, 35/1 E VKS-VK 41 E, 41/1 E VKS-VK 47 E, 47/1 E, 48/1 E VKS-VK 58 E, 58/1 E VKS-VK 76 E, 76/1 E VKS-VK 93 E, 93/1 E |

H = Natural Gas
B = LP Gas

Main component 04 Gas supply connection
VKS 35 E, 41 E

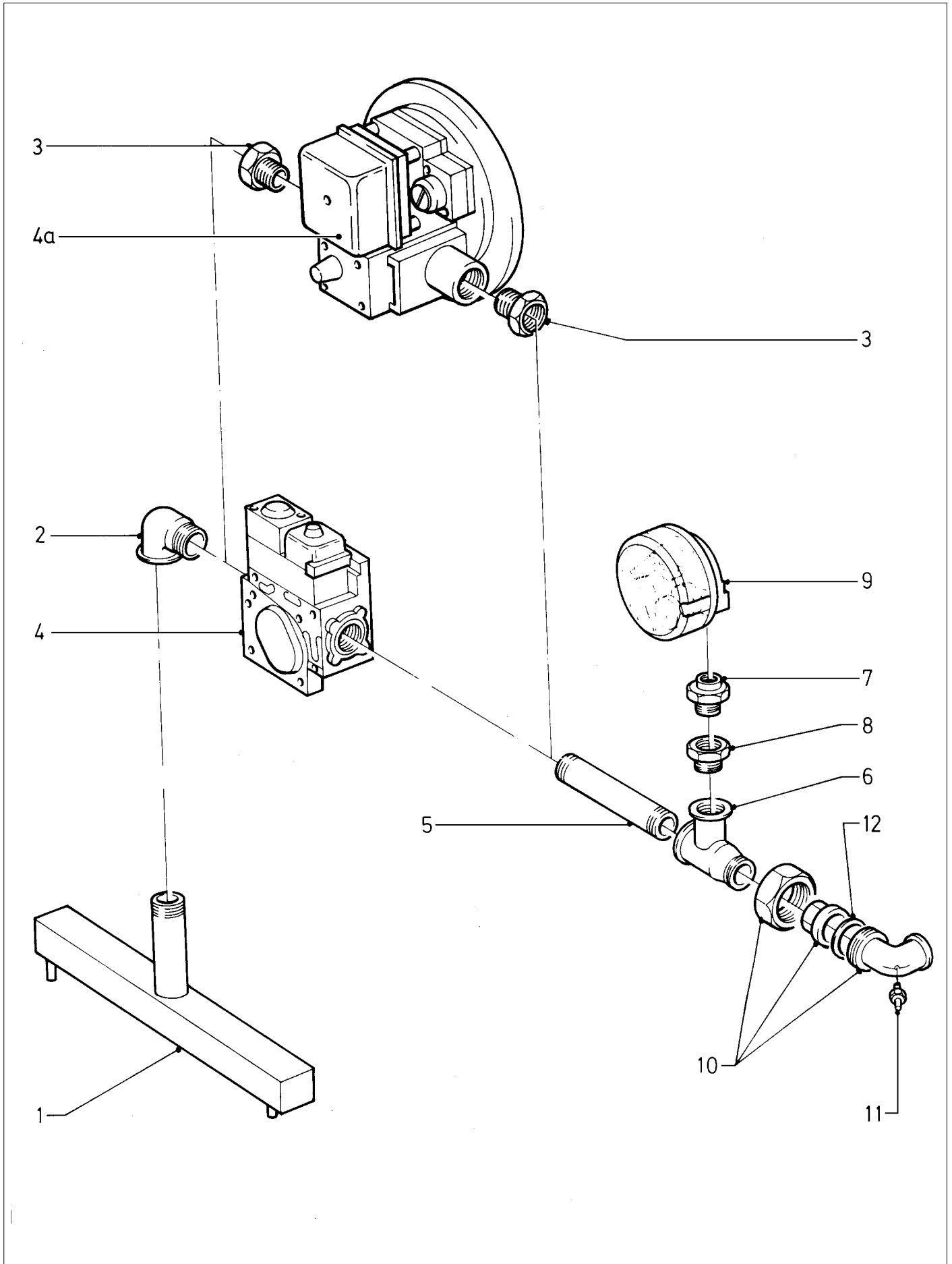


Main component 04 Gas supply connection VKS 35 E, 41 E

| Pict. No. | Article-No. | Part | Indic. | Type, Remarks |
|-----------|--------------------|--|--------|--|
| 1 | 45-8312 45-8313 | distributor tube (R 3/4) distributor tube (R 3/4) | | VKS 35 E VKS 41 E |
| 2 | 05-1050 | gas section (Rp 3/4) | | <p>spare parts see page 14 onwards</p> <p>Note: The gas section is equipped for natural gas H. In case of LP-gas please replace the gas pressure governor from the old gas section, or order a new one (see page 14 onwards).</p> |
| 3 | 16-3392 | elbow (R 3/4) | | |
| 4 | 19-1121 19-1122 | pipe (R 3/4x150) pipe (R 3/4x230) | | VKS 35 E VKS 41 E |
| 6 | 08-5121 | elbow fitting (R 3/4) | | |
| 7 | 98-0125 | packingring | | |
| 8 | 19-0988 | pipe (R 3/4x475) | | |
| 9 | 45-8314 | t-piece (R 3/4) | | |
| 10 | 45-8315 | double-nipple (R 3/4 x R 1/4) | | |
| 11 | 05-0507 | gas pressure monitor | | |

H = Natural Gas
B = LP Gas

Main component 04 Gas supply connection
VKS 47 E - 93 E

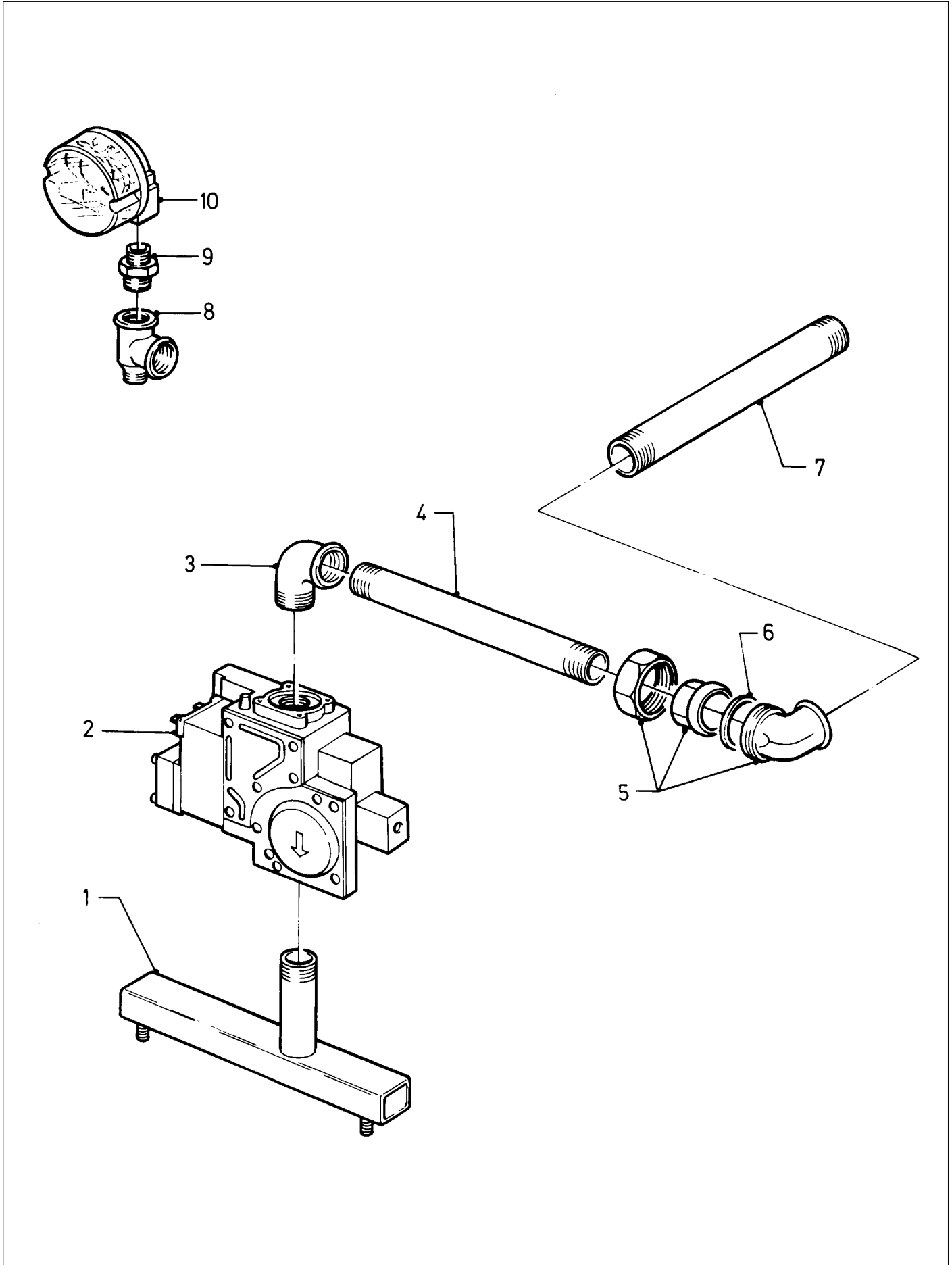


Main component 04 Gas supply connection VKS 47 E - 93 E

| Pict. No. | Article-No. | Part | Indic. | Type, Remarks |
|-----------|--|--|--------|--|
| 1 | 45-8319 18-3889 18-3890 45-8320 | distributor tube (R 3/4) distributor tube (R 3/4) distributor tube (R 3/4) distributor tube (R 1) | | VKS 47 E VKS 58 E VKS 76 E VKS 93 E |
| 2 | 16-3392 16-3398 | elbow (R 3/4) elbow (R 1) | | VKS 47 E - 76 E VKS 93 E |
| 3 | 49-1858 | reducing fitting (Rp 3/4 x R 1) | | VKS 76 E |
| 4 | 05-1050 | gas section (Rp 3/4) | | VKS 47 E, 58 E (spare parts see page 14 onwards) |
| 4a | 05-1039 | gas section (Rp 1) | | VKS 76 E, 93 E (spare parts see page 14 onwards) |
| | | | | Note: The gas sections are equipped for natural gas H. In case of LP-gas please replace the gas pressure governor from the old gas section, or order a new one (see page 14 onwards). |
| 5 | 49-2418 49-2404 49-2419 | pipe (R 3/4x130) pipe (R 3/4x146) pipe (R 1 x 50) | | VKS 47 E, 58 E VKS 76 E VKS 93 E |
| 6 | 45-8314 45-8318 | t-piece (R 3/4) t-piece (R 1) | | VKS 47 E - 76 E VKS 93 E |
| 7 | 45-8315 | double-nipple (R 3/4 x R 1/4) | | |
| 8 | 49-1858 | reducing piece (Rp 3/4 x R 1) | | VKS 93 E |
| 9 | 05-0507 | gas pressure monitor | | |
| 10 | 08-5113 08-5114 | elbow fitting (R 3/4) elbow fitting (R 1) | | VKS 47 E - 76 E } with parts 11, 12 VKS 93 E |
| 11 | 04-0248 | test nipple | | |
| 12 | 98-0125 98-0350 | packingring packingring | | VKS 47 E - 76 E VKS 93 E |

H = Natural Gas
B = LP Gas

Main component 04 Gas supply connection
VKS 35/1 E, 41/1 E, 47/1 E, 48/1 E
VK 35/1 E, 41/1 E, 48/1 E



Main component 04 Gas supply connection
VKS 35/1 E, 41/1 E, 47/1 E, 48/1 E
VK 35/1 E, 41/1 E, 48/1 E

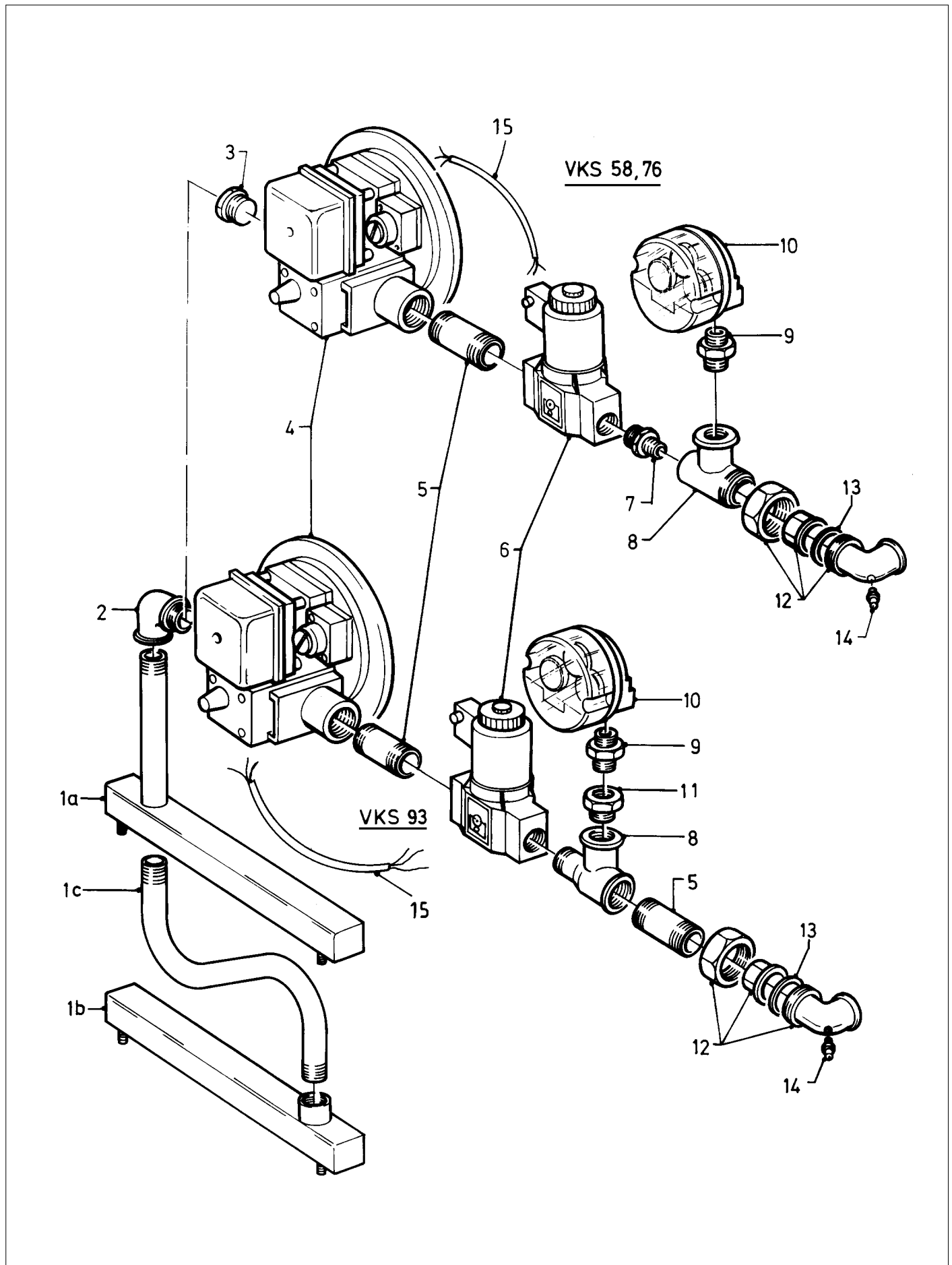
| Pict. No. | Article-No. | Part | Indic. | Type, Remarks |
|-----------|--|--|--------|--|
| 1 | 45-8312 45-8313 45-8319 46-1303 | distributor tube (R 3/4) distributor tube (R 3/4) distributor tube (R 3/4) distributor tube (R 3/4) | | VKS-VK 35/1 E VKS-VK 41/1 E VKS 47/1 E VKS-VK 48/1 E |
| 2 | 05-1050 | gas section (Rp 3/4) | | spare parts see page 14 onwards Note: The gas section is equipped for natural gas H. In case of LP-gas please replace the gas pressure governor from the old gas section, or order a new one (see page 14 onwards). |
| 3 | 16-3392 | elbow (R 3/4) | | |
| 4 | 19-1121 19-1122 49-2418 | pipe (R 3/4x150) pipe (R 3/4x230) pipe (R 3/4x130) | | VKS-VK 35/1 E, 48/1 E VKS-VK 41/1 E VKS 47/1 E |
| 5 | 08-5121 | elbow fitting (R 3/4) | | with part 6 |
| 6 | 98-0125 | packingring | | |
| 7 | 19-0988 | pipe (R 3/4x475) | | VKS-VK 35/1 E, 41/1 E, 48/1 E |
| 8 | 45-8314 | t-piece (R 3/4) | | VKS-VK 47/1 E, 48/1 E |
| 9 | 45-8315 | double-nipple (R 3/4 x R 1/4) | | VKS-VK 47/1 E, 48/1 E |
| 10 | 05-0507 | gas pressure monitor | | VKS-VK 47/1 E, 48/1 E |

H = Natural Gas
B = LP Gas

Main component 04 Gas supply connection

VKS 58/1 E - 93/1 E

VK 58/1 E - 93/1 E



Main component 04 Gas supply connection

VKS 58/1 E - 93/1 E

VK 58/1 E - 93/1 E

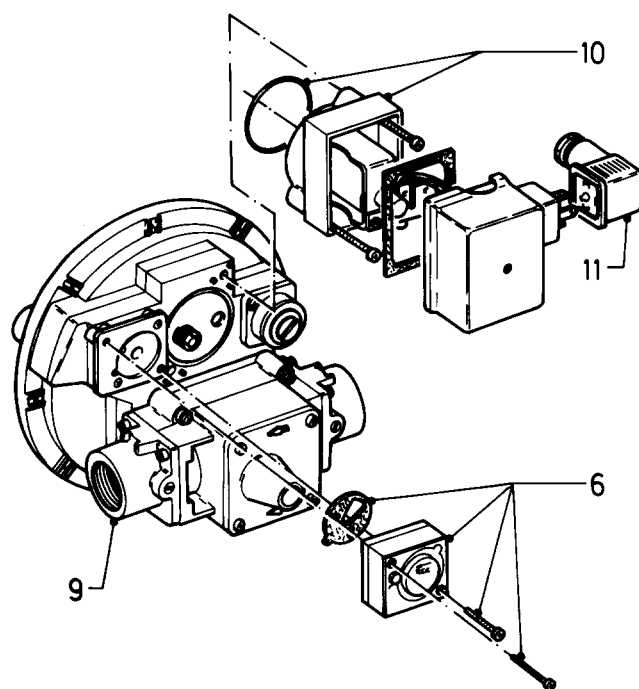
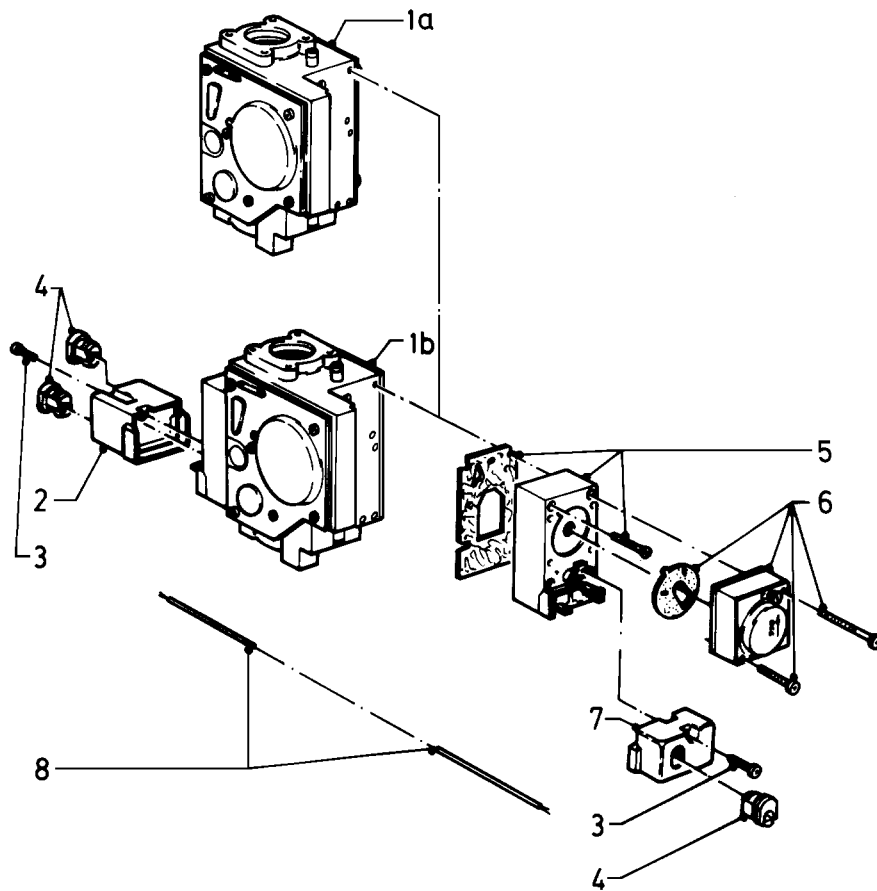
| Pict. No. | Article-No. | Part | Indic. | Type, Remarks |
|-----------|-------------|---------------------------------|--------|---|
| 1a | 46-0992 | distributor tube (R 3/4) | | VKS-VK 58/1 E |
| | 46-0993 | distributor tube (R 3/4) | | VKS-VK 76/1 E |
| | - | | | VKS-VK 93/1 E (replaced by part 1b/c) |
| 1b | 18-3828 | distributor tube (Rp 1) | | VKS-VK 93/1 E (with part 1c) |
| 1c | 46-1424 | s-pipe (R 1) | | only for VKS-VK 93/1 E |
| 2 | 16-3392 | elbow (R 3/4) | | VKS-VK 58/1 E, 76/1 E |
| | 16-3398 | elbow (R 1) | | VKS-VK 93/1 E |
| 3 | 49-1858 | reducing piece (Rp 3/4 x R 1) | | only for VKS-VK 58/1 E, 76/1 E |
| 4 | 05-1039 | gas section (Rp 1) | | <p>spare parts see page 14 onwards</p> <p>Note:</p> <p>The gas section is equipped for natural gas H. In case of LP-gas please replace the gas pressure governor from the old gas section, or order a new one (see page 14 onwards).</p> |
| 5 | 49-2419 | pipe (R 1 x 50) | | |
| 6 | 11-1062 | magnetic valve (Rp 1) | | |
| | 17-0280 | magneto | | for magnetic valve |
| 7 | 49-2506 | double-nipple (R 1 x R 3/4) | | |
| 8 | 45-8314 | t-piece (R 3/4) | | VKS-VK 58/1 E, 76/1 E |
| | 45-8318 | t-piece (R 1) | | VKS-VK 93/1 E |
| 9 | 45-8315 | double-nipple (R 3/4 x R 1/4) | | |
| 10 | 05-0507 | gas pressure monitor | | |
| 11 | 49-1858 | reducing fitting (Rp 3/4 x R 1) | | only for VKS-VK 93/1 E |
| 12 | 08-5113 | elbow fitting (R 3/4) | | VKS-VK 58/1 E, 76/1 E (with parts 13,14) |
| | 08-5114 | elbow fitting (R 1) | | VKS-VK 93/1 E (with parts 13,14) |
| 13 | 98-0125 | packingring | | VKS-VK 58/1 E, 76/1 E |
| | 98-0350 | packingring | | VKS-VK 93/1 E |
| 14 | 04-0248 | test nipple | | |
| 15 | 08-9568 | connection line | | |

H = Natural Gas
B = LP Gas

Main component 04 Gas section

VKS 35 E - 93 E

VKS 35/1 E/EU - 93/1 E/EU, VK 35/1 E/EU - 93/1 E/EU



03-05-001

Main component 04 Gas section

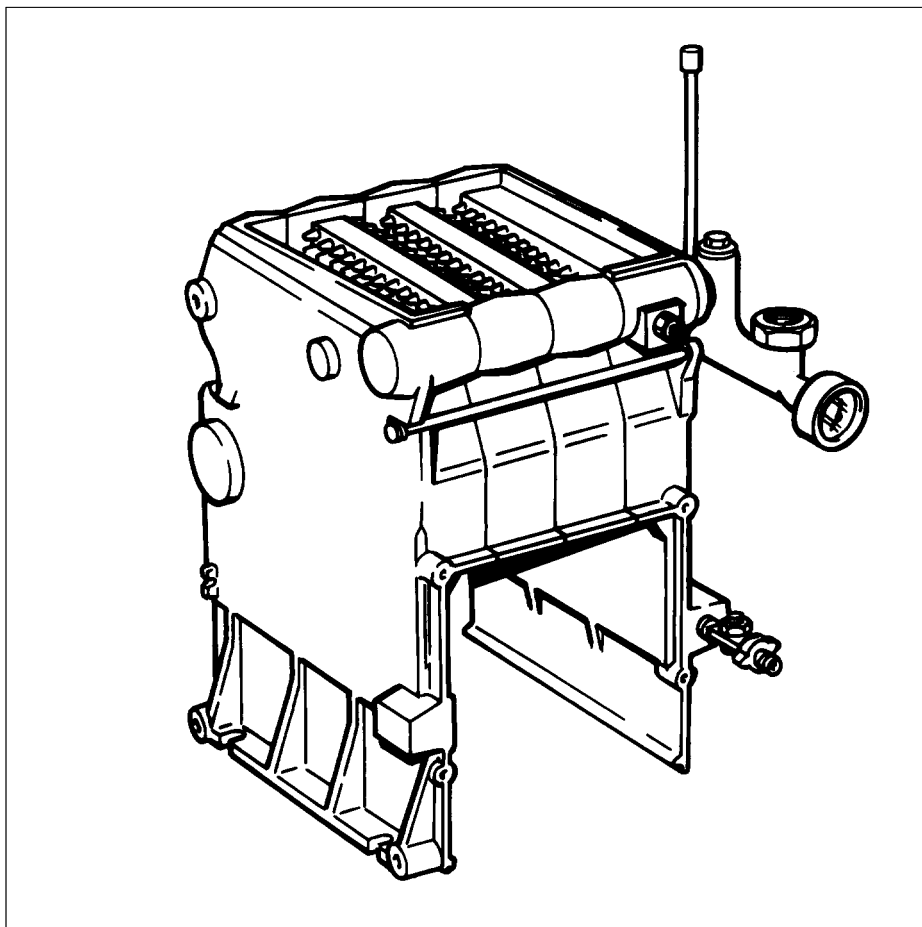
VKS 35 E - 93 E

VKS 35/1 E/EU - 93/1 E/EU, VK 35/1 E/EU - 93/1 E/EU

| Pict. No. | Article-No. | Part | Indic. | Type, Remarks |
|-----------|-------------|---------------------------|--------|---|
| | | | | <p>Note: The gas sections are equipped for natural gas H. In case of LP-gas please replace the gas pressure governor from the old gas section, or order a new one.</p> |
| 1a | - | gas section (Rp 3/4) | | no longer available, replaced by part 1b |
| 1b | 05-1050 | gas section (Rp 3/4) | | <p>VKS 35 E, 41 E, 47 E, 58 E VKS 35/1 E, 41/1 E, 47/1 E, 48/1 E VK 35/1 E, 41/1 E, 48/1 E</p> <p>} with parts 2 - 8</p> |
| 2 | 20-4085 | protection cover | | |
| 3 | 49-2373 | screw | | |
| 4 | 45-4373 | cable grommet | | |
| 5 | 11-1058 | operator | | |
| 6 | 05-0159 | gas pressure governor (H) | | |
| | 05-0158 | gas pressure governor (B) | | |
| 7 | 20-4086 | protection cover | | |
| 8 | 08-9406 | connection line | | |
| 9 | 05-1039 | gas section (Rp 1) | | <p>VKS 76 E, 93 E VKS-VK 58/1 E, 76/1 E, 93/1 E</p> <p>} with parts 6, 10, 11</p> |
| 10 | 17-0316 | magneto | | |
| 11 | 25-2779 | plug | | with part 14 |

H = Natural Gas
B = LP Gas

Main component 06



Boiler section

VKS 35 E, 41 E

Page

18 - 19

Boiler section

VKS 35/1 E, 41/1 E, 48/1 E

VK 35/1 E, 41/1 E, 48/1 E

20 - 21

Boiler section

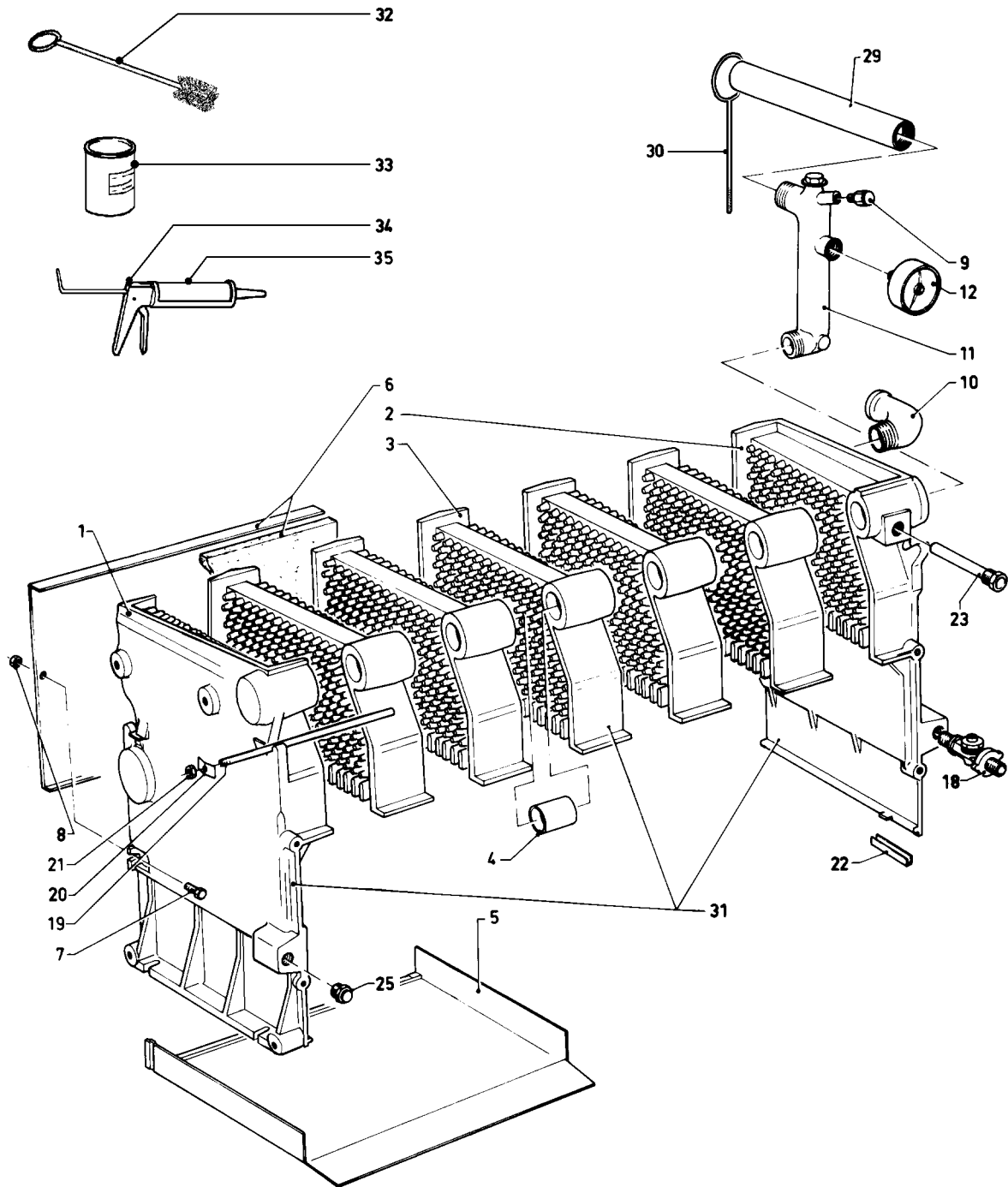
VKS 47 E, 58 E, 76 E, 93 E

VKS 47/1 E, 58/1 E, 76/1 E, 93/1 E

VK 58/1 E, 76/1 E, 93/1 E

22 - 23

Main component 06 Boiler section
VKS 35 E, 41 E



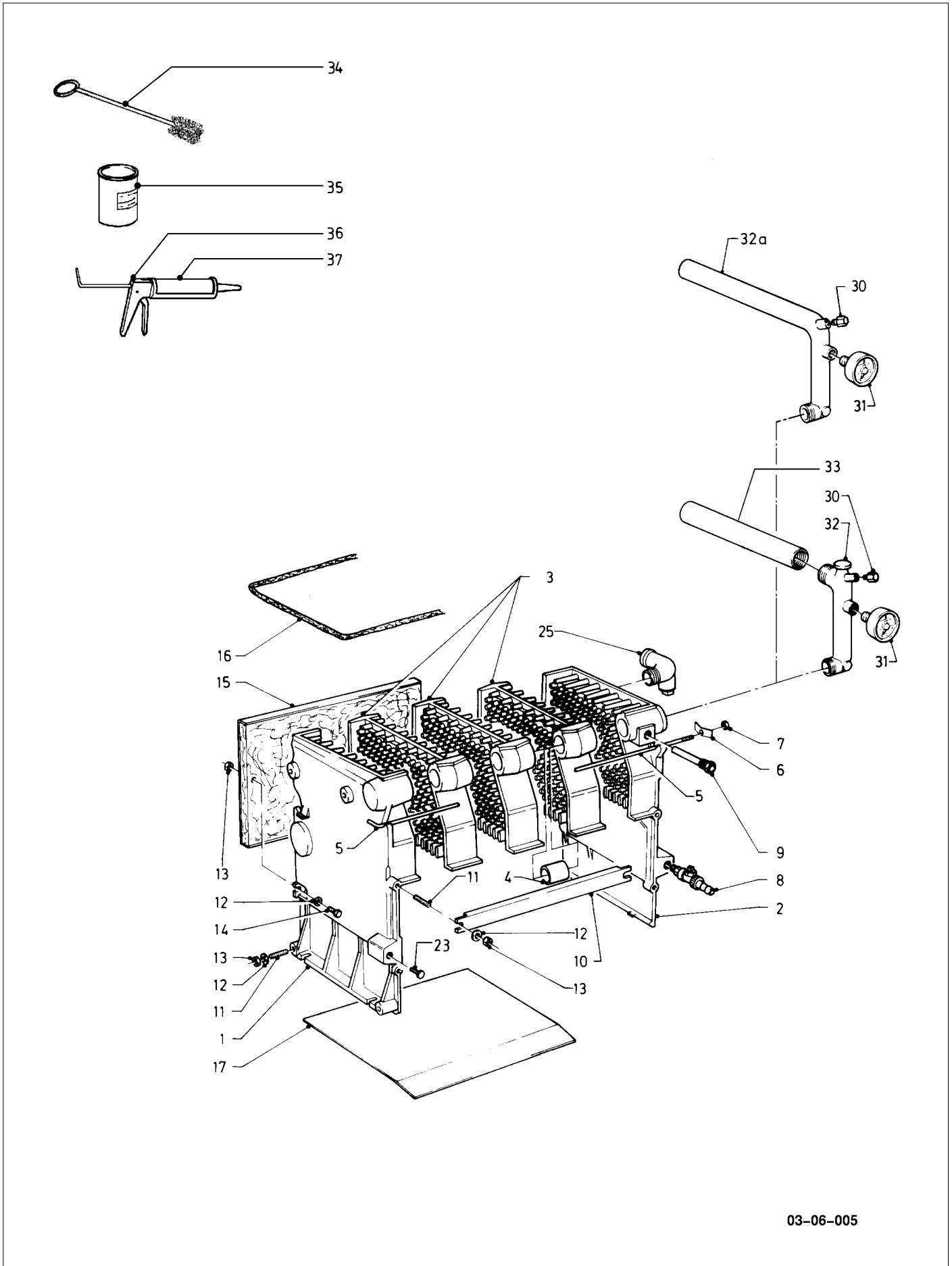
03-06-004

Main component 06 Boiler section VKS 35 E, 41 E

| Pict. No. | Article-No. | Part | Indic. | Type, Remarks |
|-----------|-------------|---------------------------|--------|---------------------------------|
| 1 | 06-2437 | end section, left-hand | | |
| 2 | 06-2438 | end section, right-hand | | |
| 3 | 06-2439 | middle section | | |
| 4 | 06-1523 | connection nipple | | |
| 5 | 07-9214 | collecting tray | | VKS 35 E |
| | 07-9215 | collecting tray | | VKS 41 E |
| 6 | 21-3351 | burner plate | | VKS 35 E |
| | 21-3352 | burner plate | | VKS 41 E |
| 7 | 07-0028 | retaining bolt | | |
| 8 | 11-4848 | nut | | |
| 9 | 06-0051 | de-aeration valve (R 1/8) | | |
| 10 | 45-6166 | elbow | | |
| 11 | 18-3902 | connection | | with part 9 |
| 12 | 10-1252 | manometer | | |
| 18 | 08-2218 | drain cock | | |
| 19 | 06-2209 | tie rod | | VKS 35 E |
| | 06-2210 | tie rod | | VKS 41 E |
| 20 | 28-0716 | spring-washer | | } with parts 20, 21 |
| 21 | 11-4892 | nut | | |
| 22 | 07-1922 | boiler foot | | |
| 23 | 06-0058 | protective housing | | |
| 25 | 45-4699 | drain screw | | |
| 29 | 45-5758 | pipe (Rp 1x295) | | |
| 30 | 45-5756 | support screw | | |
| 31 | 06-1937 | boiler section,cpl. | | VKS 35 E |
| | 06-1938 | boiler section,cpl. | | VKS 41 E |
| | | | | } with parts 1-4, 10, 18-23, 25 |
| 32 | 99-0230 | brush for gas boiler | | |
| 33 | 99-0203 | sealant (500 g) | | |
| 34 | 99-0206 | sealant applicator | | |
| 35 | 99-0324 | sealing cement | | 600-g-cartridge |

H = Natural Gas
B = LP Gas

Main component 06 Boiler section
VKS 35/1 E, 41/1 E, 48/1 E
VK 35/1 E, 41/1 E, 48/1 E



03-06-005

Main component 06 Boiler section

VKS 35/1 E, 41/1 E, 48/1 E

VK 35/1 E, 41/1 E, 48/1 E

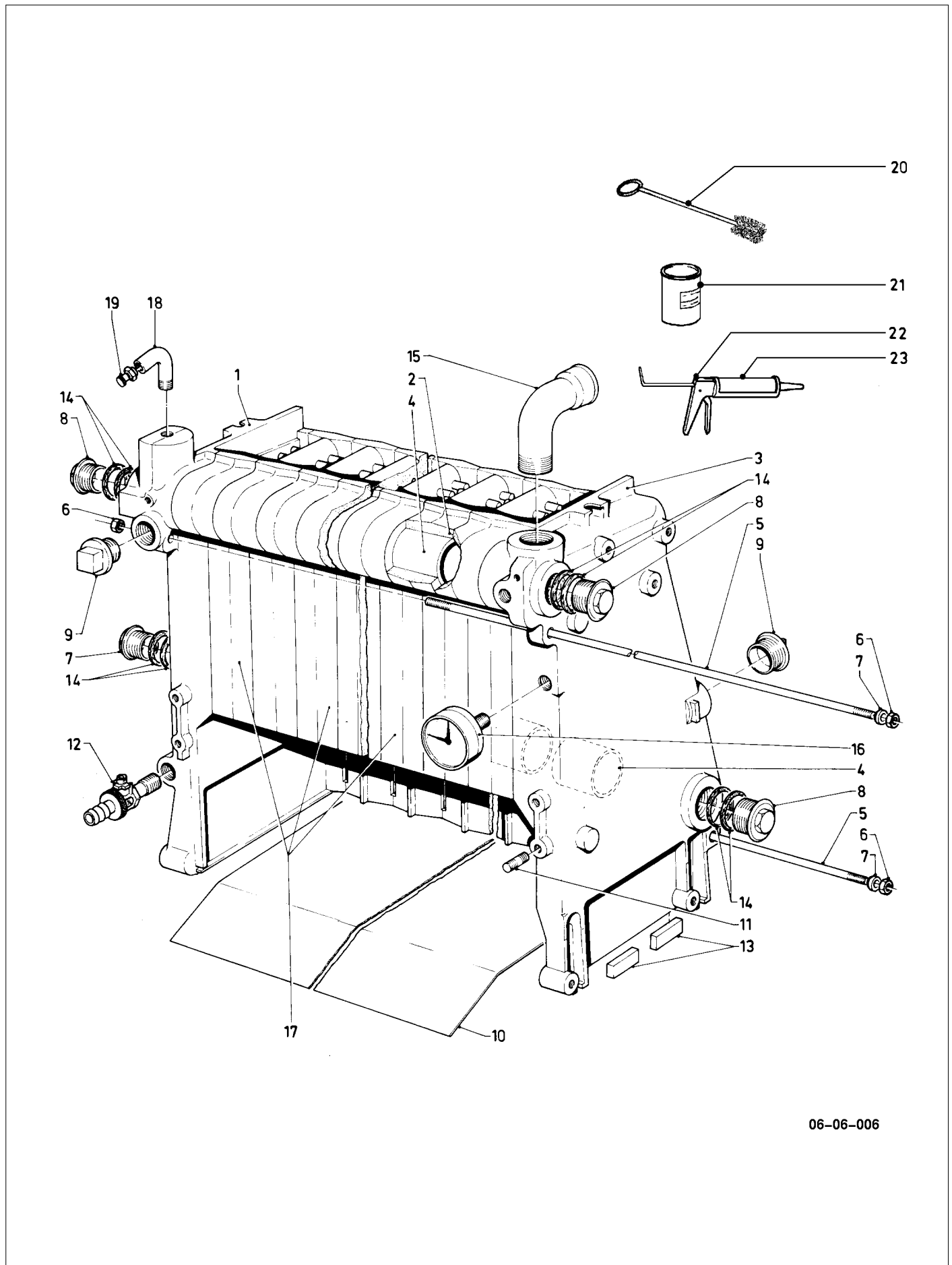
| Pict. No. | Article-No. | Part | Indic. | Type, Remarks |
|-----------|-------------------------------|---|--------|--|
| - | 06-1944 06-1945 06-1949 | boiler section,cpl. boiler section,cpl. boiler section,cpl. | | VKS-VK 35/1 E VKS-VK 41/1 E VKS-VK 48/1 E } with parts 1 - 9, 25, 32 |
| 1 | 45-9900 | end section, left-hand | | |
| 2 | 45-9901 | end section, right-hand | | |
| 3 | 45-9902 | middle section | | |
| 4 | 06-1523 | connection nipple | | |
| 5 | 06-2209 06-2210 06-2279 | tie rod tie rod tie rod | | VKS-VK 35/1 E VKS-VK 41/1 E VKS-VK 48/1 E } with parts 6, 7 |
| 6 | 28-0716 | spring-washer | | |
| 7 | 11-4888 | nut | | |
| 8 | 08-2218 | drain cock | | |
| 9 | 06-0058 | protective housing | | |
| 10 | 29-9825 29-9826 29-9827 | sealing profile sealing profile sealing profile | | VKS-VK 35/1 E VKS-VK 41/1 E VKS-VK 48/1 E |
| 11 | 12-7962 | screw | | |
| 12 | 19-1407 | disc | | |
| 13 | 11-4888 | nut | | |
| 14 | 45-4695 | screw | | |
| 15 | 21-3351 21-3352 46-1248 | burner plate burner plate burner plate | | VKS-VK 35/1 E VKS-VK 41/1 E VKS-VK 48/1 E |
| 16 | 99-0157 | sealing compound | | |
| 17 | 07-9214 07-9215 46-1251 | collecting tray collecting tray collecting tray | | VKS-VK 35/1 E VKS-VK 41/1 E VKS-VK 48/1 E |
| 23 | 45-4699 | drain screw | | |
| 25 | 45-9545 45-9566 | elbow elbow | | VKS-VK 35/1 E VKS-VK 41/1 E, 48/1 E |
| 28 | 06-0051 | de-aeration valve (R 1/8) | | |
| 31 | 10-1252 | manometer | | |
| 32 | 18-3902 | connection | | Iron execution |
| 32a | 46-1521 | connection | | steel execution |
| 33 | 45-5758 | pipe (Rp 1x295) | | |
| 34 | 99-0230 | brush for gas boiler | | |
| 35 | 99-0203 | sealant (500 g) | | |
| 36 | 99-0206 | sealant applicator | | |
| 37 | 99-0324 | sealing cement | | 600-g-cartridge |

H = Natural Gas
B = LP Gas

Main component 06 Boiler section

VKS 47 E, 58 E, 76 E, 93 E

VKS 47/1 E, 58/1 E, 76/1 E, 93/1 E, VK 58/1 E, 76/1 E, 93/1 E



06-06-006

Main component 06 Boiler section

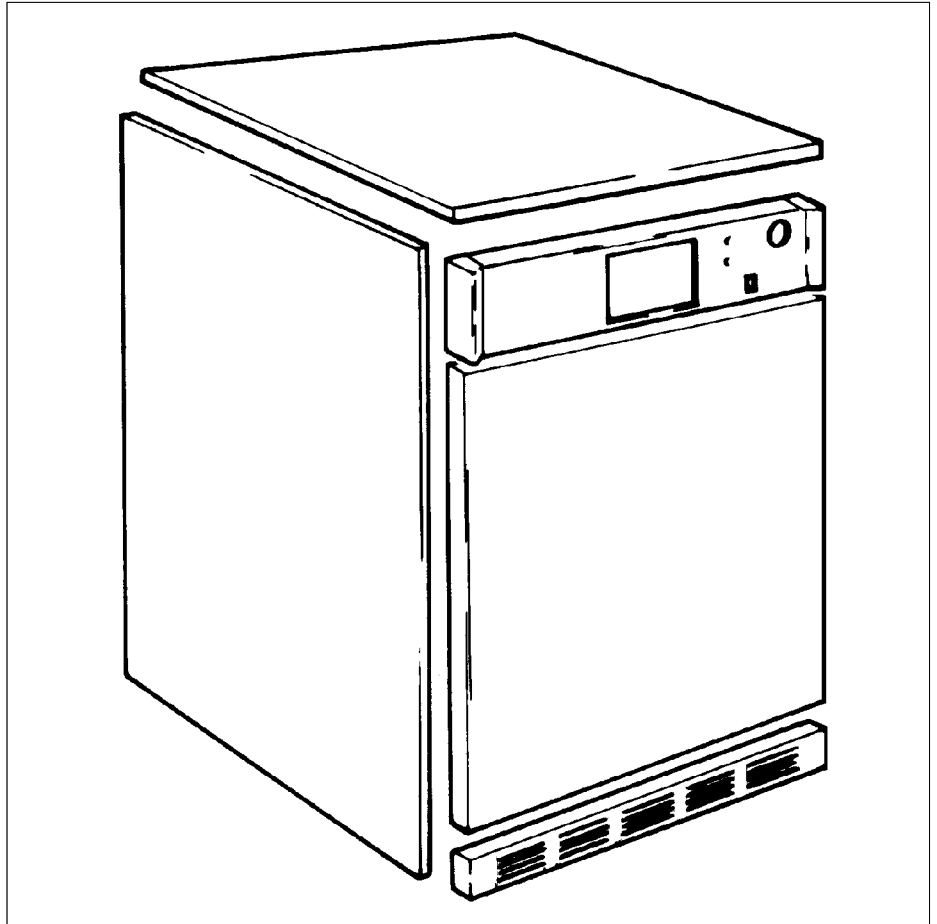
VKS 47 E, 58 E, 76 E, 93 E

VKS 47/1 E, 58/1 E, 76/1 E, 93/1 E, VK 58/1 E, 76/1 E, 93/1 E

| Pict. No. | Article-No. | Part | Indic. | Type, Remarks |
|-----------|-------------|---------------------------|--------|--|
| 1 | 06-2464 | end section, left-hand | | |
| 2 | 45-4690 | middle section | | |
| 3 | 45-4691 | end section, right-hand | | |
| 4 | 06-0059 | connection nipple | | |
| 5 | 06-0048 | tie rod | | VKS 47 E, 47/1 E VKS-VK 58 E, 58/1 E VKS-VK 76 E, 76/1 E VKS-VK 93 E, 93/1 E } with parts 6, 7 |
| | 06-0049 | tie rod | | |
| | 06-0050 | tie rod | | |
| | 06-0235 | tie rod | | |
| 6 | 11-4892 | nut | | |
| 7 | 45-5269 | spring-washer | | |
| 8 | 06-0052 | plug (R 1 1/4) | | |
| 9 | 06-0053 | plug (R 1) | | |
| 10 | 07-0937 | collecting tray | | VKS 47 E, 47/1 E VKS-VK 58 E, 58/1 E VKS-VK 76 E, 76/1 E VKS-VK 93 E, 93/1 E |
| | 06-0160 | collecting tray | | |
| | 06-0161 | collecting tray | | |
| | 45-5426 | collecting tray | | |
| 11 | 06-0055 | threaded pin | | |
| 12 | 08-2218 | drain cock | | |
| 13 | 07-0069 | boiler foot | | |
| 14 | 98-0121 | packingring | | |
| 15 | 49-2086 | elbow pipe | | |
| 16 | 10-1252 | manometer | | |
| 17 | 06-1929 | boiler section,cpl. | | VKS 47 E, 47/1 E VKS-VK 58 E, 58/1 E VKS-VK 76 E, 76/1 E } with parts 1 - 9, 12 - 15 |
| | 06-1930 | boiler section,cpl. | | |
| | 06-1931 | boiler section,cpl. | | |
| 18 | 45-2580 | connection tube | | |
| 19 | 06-0051 | de-aeration valve (R 1/8) | | |
| 20 | 99-0230 | brush for gas boiler | | |
| 21 | 99-0203 | sealant (500 g) | | |
| 22 | 99-0206 | sealant applicator | | |
| 23 | 99-0324 | sealing cement | | 600-g-cartridge |

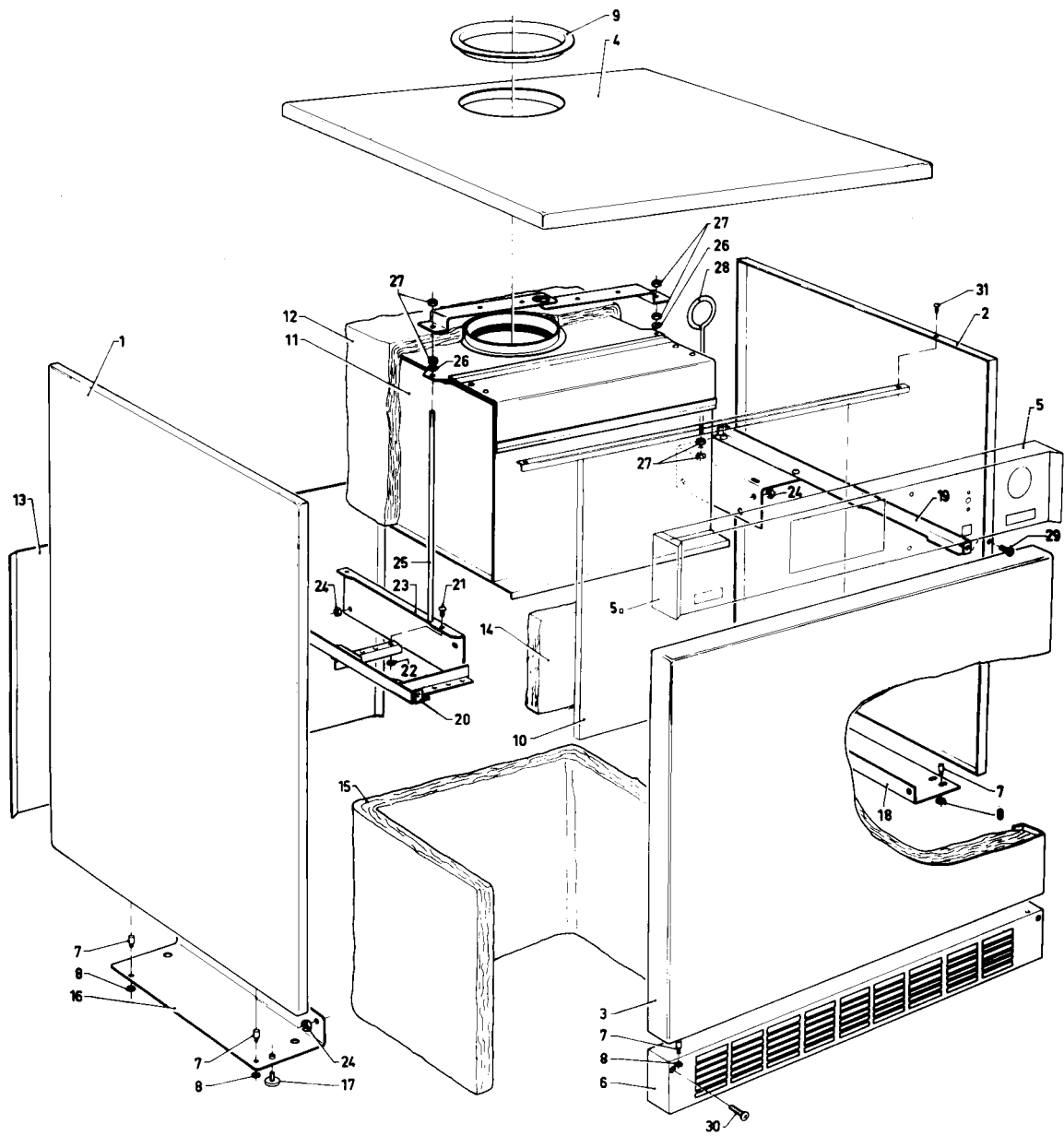
H = Natural Gas
B = LP Gas

Main component 07



| | Page |
|--|-------------|
| Casing VKS 35 E, 41 E | 26 - 27 |
| Casing VKS 35/1 E, 41/1 E, 48/1 E VK 35/1 E, 41/1 E, 48/1 E | 28 - 31 |
| Casing VKS 47 E, 58 E, 76 E, 93 E (for appliances until 03/86) | 32 - 35 |
| Casing VKS 47 E, 58 E, 76 E, 93 E (for appliances 03/86 -) VKS 47/1 E, 58/1 E, 76/1 E, 93/1 E VK 58/1 E, 76/1 E, 93/1 E | 36 - 39 |

Main component 07 Casing
VKS 35 E, 41 E



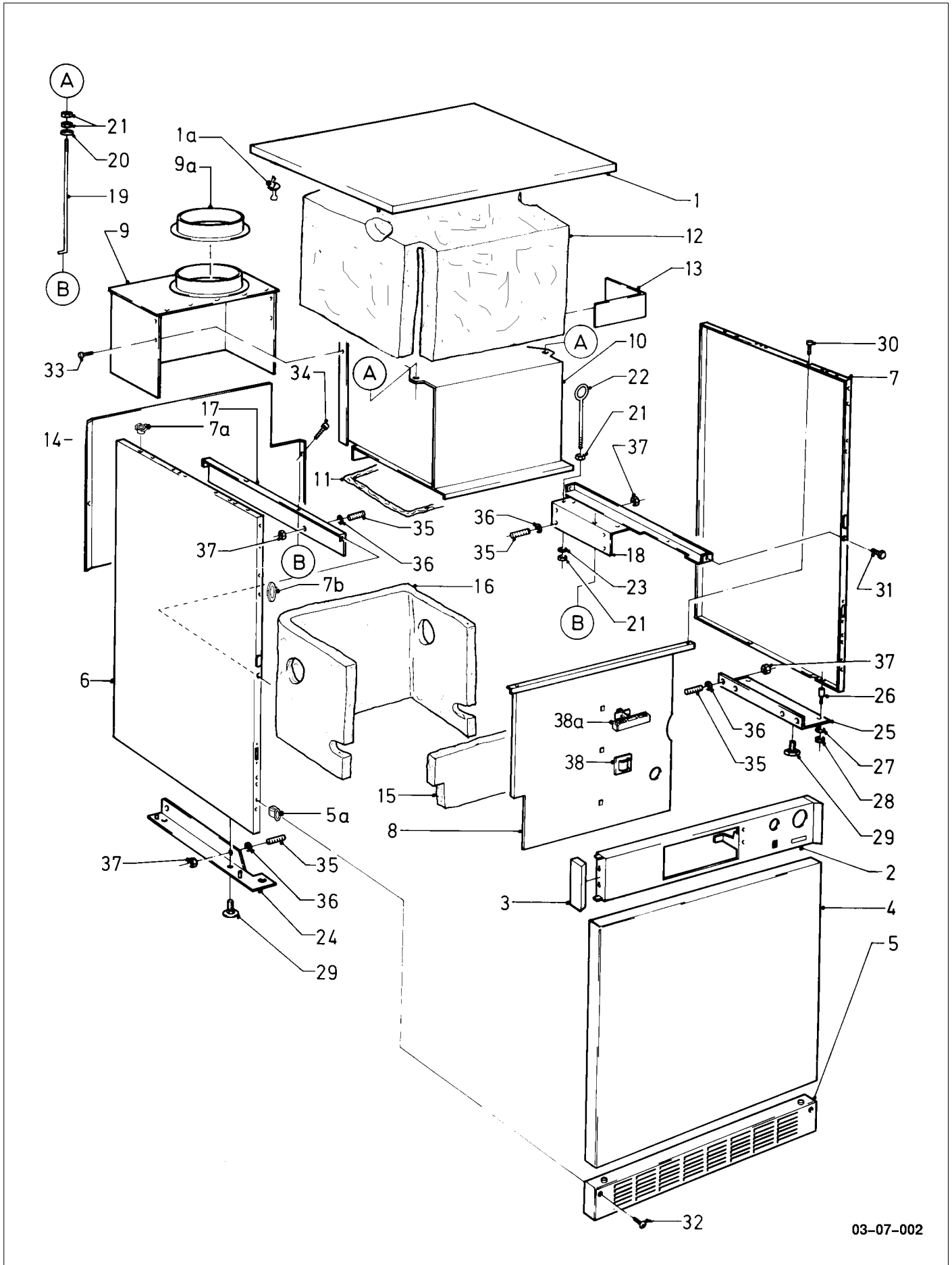
03-07-001

Main component 07 Casing VKS 35 E, 41 E

| Pict. No. | Article-No. | Part | Indic. | Type, Remarks |
|-----------|-------------|------------------------|--------|--------------------------------------|
| 1 | 07-9874 | side panel | | |
| 2 | 07-9875 | side panel | | |
| 3 | 07-0155 | front panel | | VKS 35 E |
| | 07-0156 | front panel | | VKS 41 E |
| 4 | 07-0865 | cover | | VKS 35 E |
| | 07-0866 | cover | | VKS 41 E |
| 5 | 07-5557 | upper front panel | | VKS 35 E |
| | 07-5558 | upper front panel cap | | VKS 41 E |
| 5a | 20-4055 | cap | | } with part 5a |
| 6 | 07-2246 | lower front panel | | VKS 35 E |
| | 07-2247 | lower front panel | | VKS 41 E |
| 7 | 49-0529 | screw | | |
| | 28-0706 | washer | | not shown |
| 8 | 07-0007 | nut | | |
| 9 | 28-2265 | ring | | |
| 10 | 45-8231 | mounting plate | | VKS 35 E |
| | 45-8232 | mounting plate | | VKS 41 E |
| 11 | 45-8163 | draft diverter | | VKS 35 E |
| | 45-8164 | draft diverter | | VKS 41 E |
| 12 | 45-8111 | insulation | | VKS 35 E |
| | 45-8112 | insulation | | VKS 41 E |
| - | 45-4335 | aluminium adhesive tie | | for fixing of insulation (not shown) |
| 13 | 45-8249 | back panel | | VKS 35 E |
| | 45-8250 | back panel | | VKS 41 E |
| 14 | 46-1853 | insulation | | |
| 15 | 45-8155 | insulation | | VKS 35 E |
| | 45-8156 | insulation | | VKS 41 E |
| 16 | 16-3409 | support | | |
| 17 | 45-3681 | screw | | |
| 18 | 16-3410 | support | | |
| 19 | 16-3413 | support | | |
| 23 | 45-4950 | support | | |
| 24 | 11-4888 | nut | | |
| 25 | 45-5731 | hook screw | | |
| 26 | 49-2032 | disc | | |
| 27 | 49-2064 | nut | | |
| 28 | 45-5756 | support screw | | |
| 29 | 23-5740 | screw | | |
| 30 | 49-2147 | screw | | |
| 31 | 08-8624 | screw | | |

H = Natural Gas
B = LP Gas

Main component 07 Casing
VKS 35/1 E, 41/1 E, 48/1 E
VK 35/1 E, 41/1 E, 48/1 E



03-07-002

Main component 07 Casing
VKS 35/1 E, 41/1 E, 48/1 E
VK 35/1 E, 41/1 E, 48/1 E

| Pict. No. | Article-No. | Part | Indic. | Type, Remarks |
|-----------|-------------|------------------------------|--------|--------------------------|
| 1 | 07-0895 | cover | | VKS-VK 35/1 E |
| | 07-0896 | cover | | VKS-VK 41/1 E |
| | 07-2116 | cover | | VKS-VK 48/1 E |
| 1a | 13-2902 | plastic stud | | |
| 2 | 07-5557 | upper front panel | | VKS-VK 35/1 E |
| | 07-5558 | upper front panel | | VKS-VK 41/1 E |
| | 07-5565 | upper front panel | | VKS-VK 48/1 E |
| 3 | 20-3849 | cap | | |
| 4 | 07-0155 | front panel | | VKS-VK 35/1 E |
| | 07-0156 | front panel | | VKS-VK 41/1 E |
| | 07-0235 | front panel | | VKS-VK 48/1 E |
| 5 | 07-2246 | lower front panel | | VKS-VK 35/1 E |
| | 07-2247 | lower front panel | | VKS-VK 41/1 E |
| | 07-5522 | lower front panel | | VKS-VK 48/1 E |
| 5a | 11-4616 | plastic lock nut | | |
| 6 | 07-9874 | side panel | | |
| 7 | 07-9875 | side panel | | |
| 7a | 12-4811 | plastic counter bush (top) | | |
| 7b | 12-4810 | plastic counter bush (front) | | |
| 8 | 45-8231 | mounting plate | | VKS-VK 35/1 E |
| | 45-8232 | mounting plate | | VKS-VK 41/1 E |
| | 46-1255 | mounting plate | | VKS-VK 48/1 E |
| 9 | 46-1505 | draft diverter | | VKS-VK 35/1 E |
| | 46-1506 | draft diverter | | VKS-VK 41/1 E |
| | 46-1530 | draft diverter | | VKS-VK 48/1 E |
| 9a | 46-1224 | ring | | only for VKS-VK 48/1 E |
| 10 | 46-1476 | flue gas removal | | VKS-VK 35/1 E |
| | 46-1477 | flue gas removal | | VKS-VK 41/1 E |
| | 46-1240 | flue gas removal | | VKS-VK 48/1 E |
| 11 | 99-0157 | sealing compound (1m) | | |
| 12 | 46-1859 | insulation | | |
| 13 | 45-4335 | aluminium adhesive tie | | for fixing of insulation |
| 14 | 45-8249 | back panel | | VKS-VK 35/1 E |
| | 45-8250 | back panel | | VKS-VK 41/1 E |
| | 46-1258 | back panel | | VKS-VK 48/1 E |
| 15 | 46-1853 | insulation | | |
| 16 | 45-8155 | insulation | | VKS-VK 35/1 E |
| | 45-8156 | insulation | | VKS-VK 41/1 E |
| | 46-1239 | insulation | | VKS-VK 48/1 E |

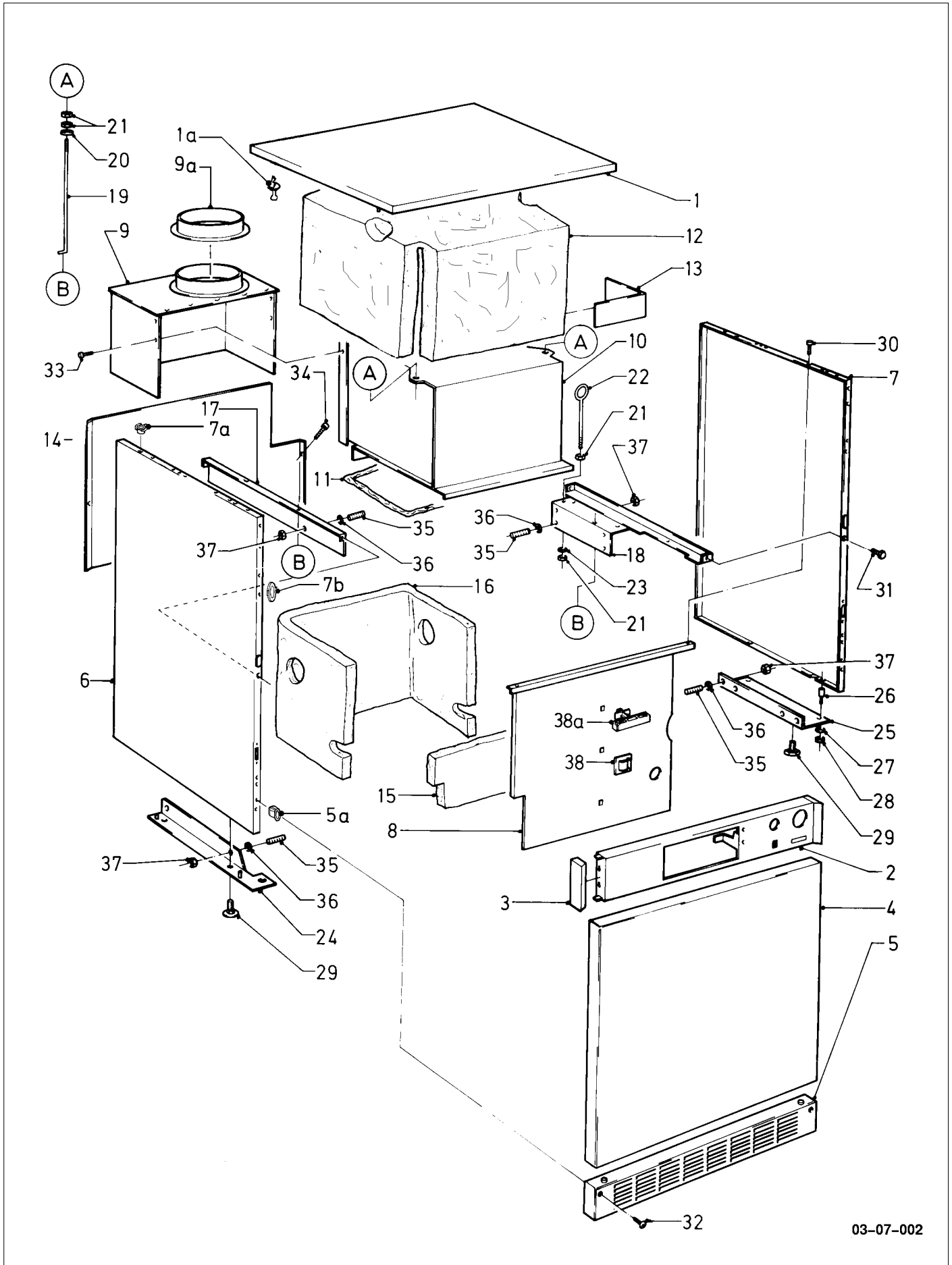
} with part 1a

} with part 3

} with part 5a, 7 a-b

H = Natural Gas
B = LP Gas

Main component 07 Casing
VKS 35/1 E, 41/1 E, 48/1 E
VK 35/1 E, 41/1 E, 48/1 E



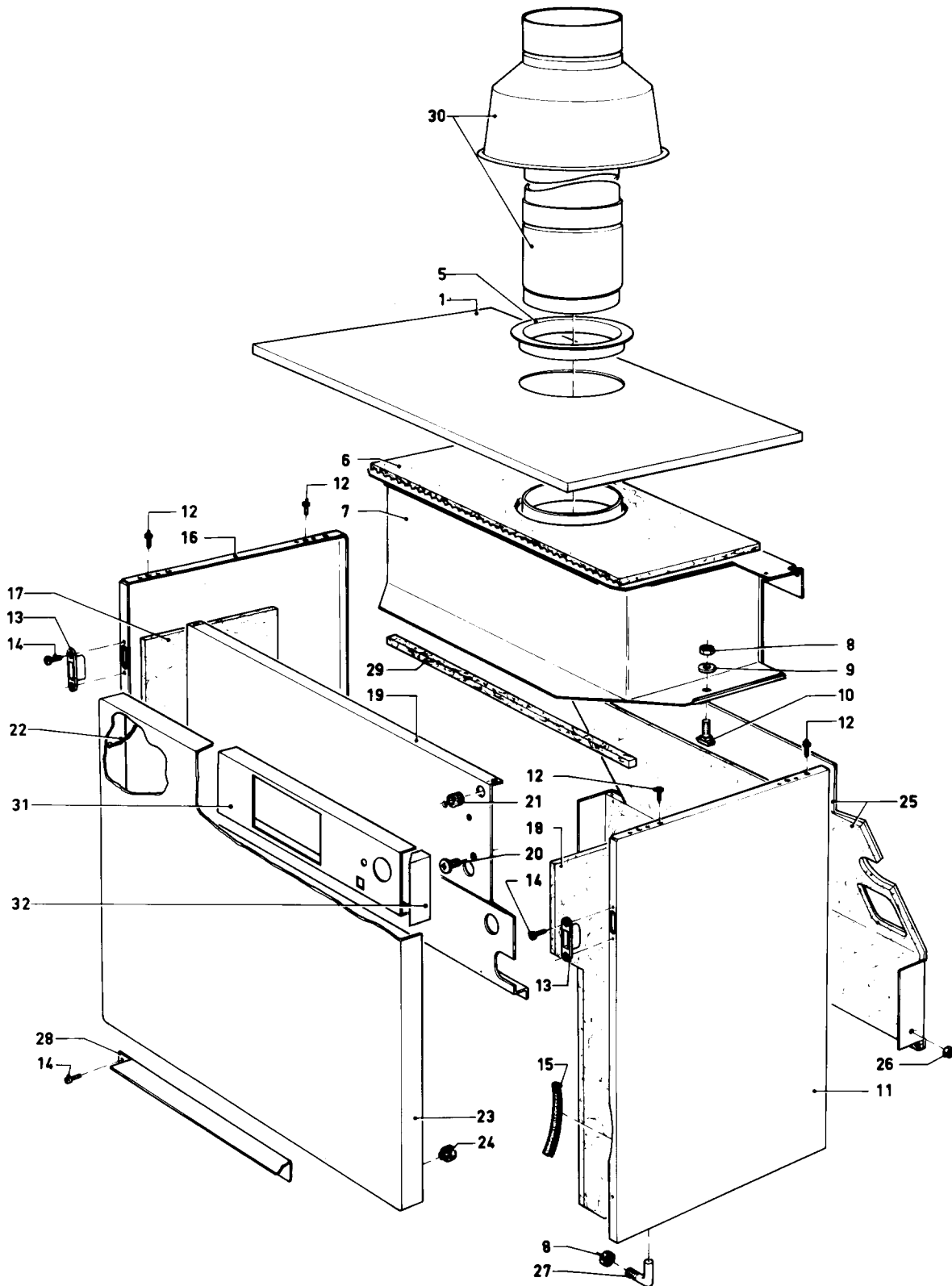
03-07-002

Main component 07 Casing
VKS 35/1 E, 41/1 E, 48/1 E
VK 35/1 E, 41/1 E, 48/1 E

| Pict. No. | Article-No. | Part | Indic. | Type, Remarks |
|-----------|-------------|--------------------------|--------|------------------|
| 17 | 45-4950 | support | | |
| 18 | 16-3413 | support | | |
| 19 | 45-5731 | hook screw | | |
| 20 | 49-2032 | disc | | |
| 21 | 49-2064 | nut | | |
| 22 | 45-5756 | support screw | | |
| 23 | 49-1421 | disc | | |
| 24 | 16-3409 | support | | |
| 25 | 16-3410 | support | | with parts 26-28 |
| 26 | 49-0529 | screw | | |
| 27 | 28-0706 | washer | | |
| 28 | 07-0007 | nut | | |
| 29 | 45-9886 | adjusting screw | | |
| 30 | 13-0005 | screw | | |
| 31-32 | 23-5740 | screw | | |
| 33 | 49-0414 | screw | | |
| 34 | 23-5740 | screw | | |
| 35 | 12-7962 | screw | | |
| 36 | 19-1407 | disc | | |
| 37 | 11-4888 | nut | | |
| 38 | 95-0355 | adhesive clip for cables | | |
| 38a | 28-9730 | clip for cables | | |

H = Natural Gas
B = LP Gas

Main component 07 Casing
VKS 47 E, 58 E, 76 E, 93 E
(for appliances until 03/86)

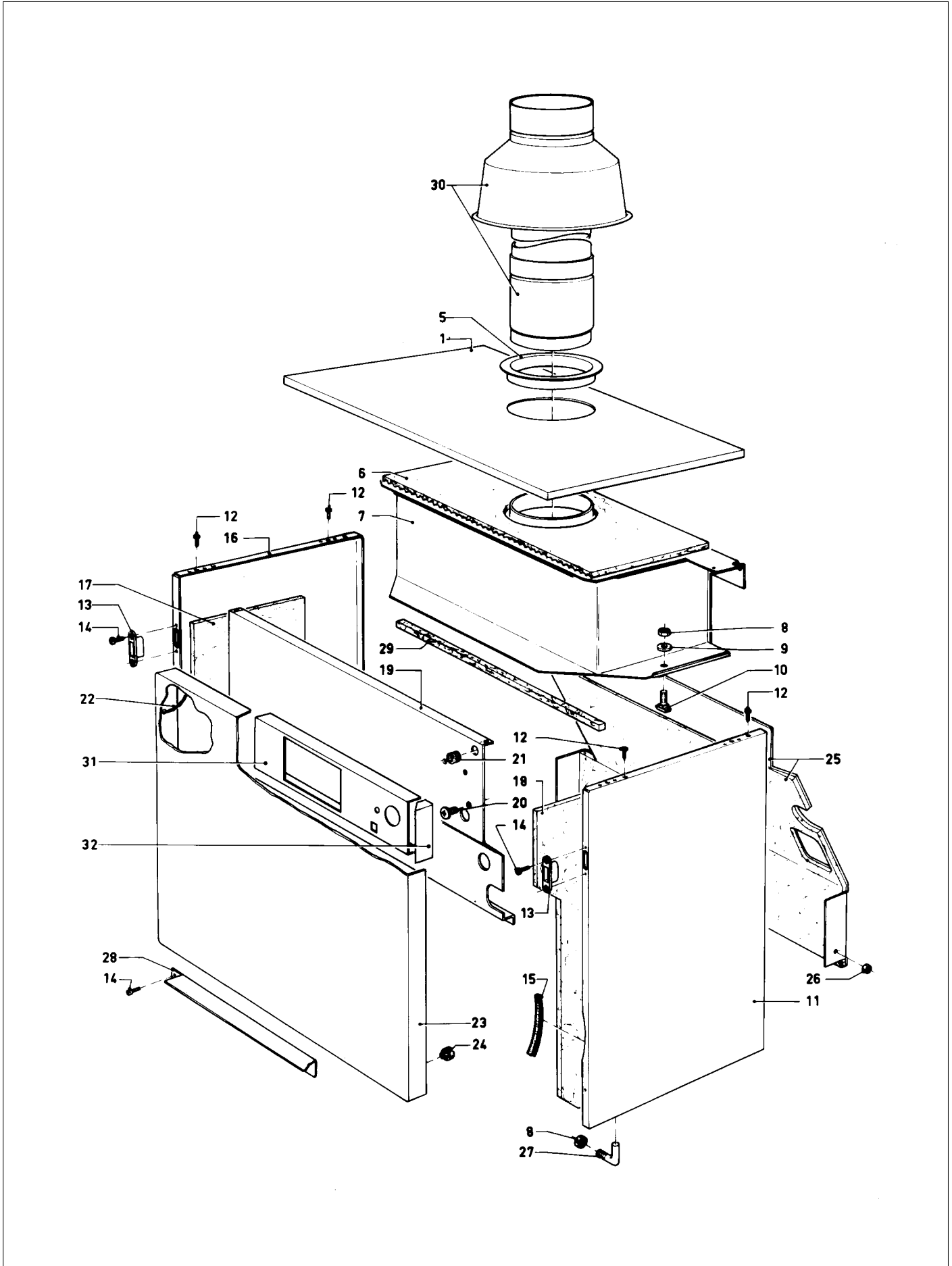


Main component 07 Casing
VKS 47 E, 58 E, 76 E, 93 E
(for appliances until 03/86)

| Pict. No. | Article-No. | Part | Indic. | Type, Remarks |
|-----------|-------------|------------------------|--------|--------------------------------------|
| 1 | 07-0686 | cover | | VKS 47 E |
| | 07-0687 | cover | | VKS 58 E |
| | 07-0688 | cover | | VKS 76 E |
| | 07-0689 | cover | | VKS 93 E |
| 5 | 28-2265 | ring | | VKS 47 E |
| | 28-2266 | ring | | VKS 58 E |
| | 28-2267 | ring | | VKS 76 E |
| | 28-2277 | ring | | VKS 93 E |
| 6 | 45-5253 | insulation | | VKS 47 E |
| | 45-5254 | insulation | | VKS 58 E |
| | 45-5257 | insulation | | VKS 76 E |
| | 45-5258 | insulation | | VKS 93 E |
| - | 45-4335 | aluminium adhesive tie | | for fixing of insulation (not shown) |
| 7 | 45-5235 | flue gas removal | | VKS 47 E |
| | 45-5236 | flue gas removal | | VKS 58 E |
| | 45-5239 | flue gas removal | | VKS 76 E |
| | 45-5240 | flue gas removal | | VKS 93 E |
| 8 | 11-4888 | nut | | |
| 9 | 19-1325 | disc | | |
| 10 | 07-0028 | retaining bolt | | |
| 11 | 07-9806 | side panel | | with parts 13-15 |
| 12 | 49-2147 | screw | | |
| 13 | 28-8301 | magnet | | |
| 14 | 13-0005 | screw | | |
| 15 | 28-2829 | sealing profile | | |
| 16 | 07-9804 | side panel | | with parts 13-15 |
| 17 | 45-5259 | insulation | | |
| 18 | 45-5260 | insulation | | |
| 19 | 45-8295 | mounting plate | | VKS 47 E |
| | 45-8296 | mounting plate | | VKS 58 E |
| | 45-8297 | mounting plate | | VKS 76 E |
| | 45-8299 | mounting plate | | VKS 93 E |
| 20 | 07-0026 | screw | | |
| 21 | 20-1819 | cable grommet | | |
| 22 | 08-6066 | chain | | |
| 23 | 07-4193 | front panel | | VKS 47 E |
| | 07-4194 | front panel | | VKS 58 E |
| | 07-4195 | front panel | | VKS 76 E |
| | 07-4196 | front panel | | VKS 93 E |
| 24 | 13-7237 | plug | | |
| 25 | 07-1181 | back panel | | VKS 47 E |
| | 45-5429 | back panel | | VKS 58 E |
| | 45-5431 | back panel | | VKS 76 E |
| | 45-5432 | back panel | | VKS 93 E |
| 26 | 11-4851 | nut | | |
| 27 | 07-0056 | hook screw | | |

H = Natural Gas
B = LP Gas

Main component 07 Casing
VKS 47 E, 58 E, 76 E, 93 E
(for appliances until 03/86)

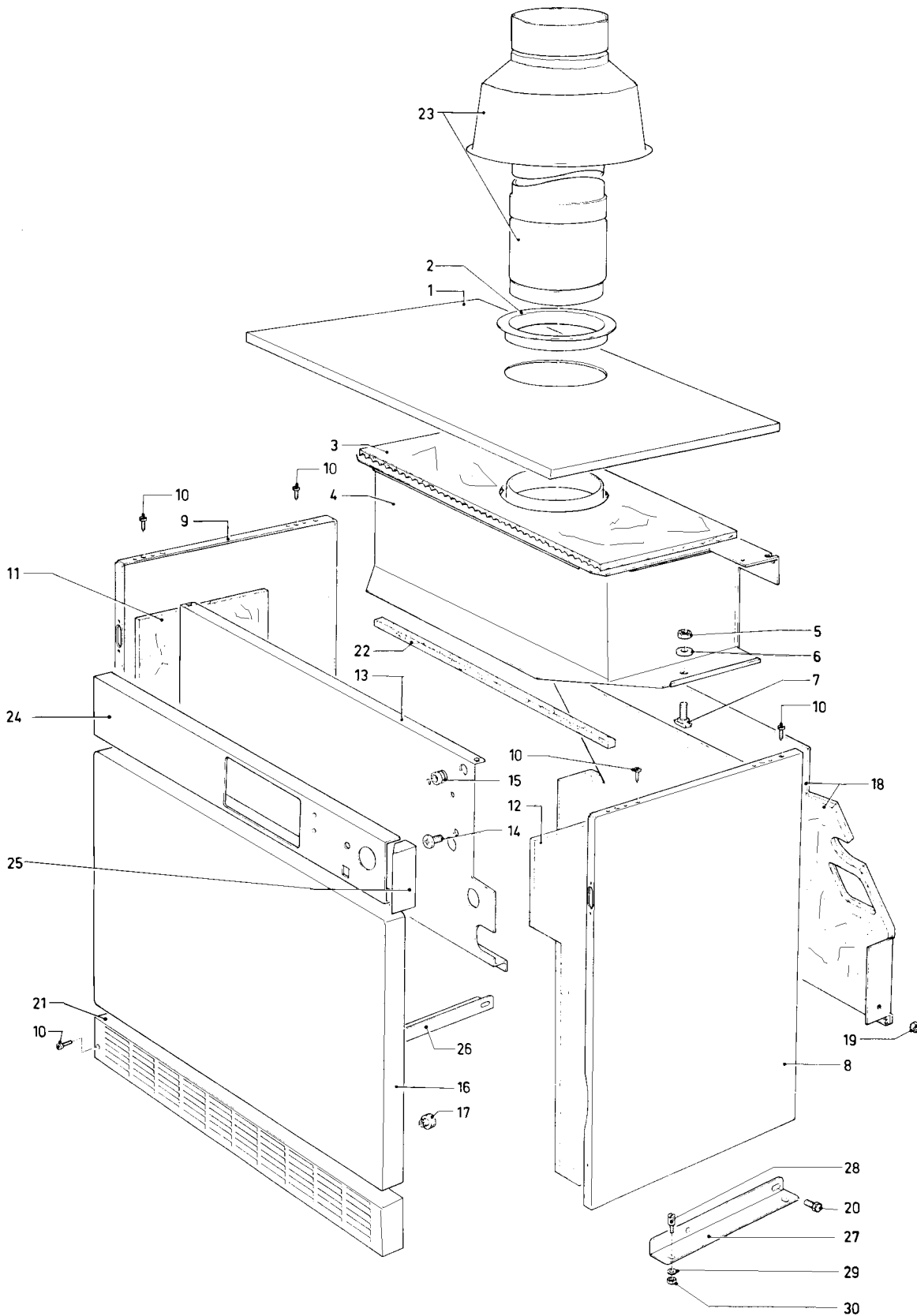


**Main component 07 Casing
VKS 47 E, 58 E, 76 E, 93 E
(for appliances until 03/86)**

| Pict. No. | Article-No. | Part | Indic. | Type, Remarks |
|-----------|-------------|-------------------|--------|---------------|
| 28 | 07-2229 | support | | VKS 47 E |
| | 07-2230 | support | | VKS 58 E |
| | 07-2231 | support | | VKS 76 E |
| | 07-2232 | support | | VKS 93 E |
| 29 | 45-5265 | insulation | | |
| 30 | 07-4915 | draft diverter | | VKS 47 E |
| | 07-4916 | draft diverter | | VKS 58 E |
| | 07-4917 | draft diverter | | VKS 76 E |
| | 07-4918 | draft diverter | | VKS 93 E |
| 31 | 07-5553 | upper front panel | | with part 32 |
| 32 | 20-4055 | cap | | |

**H = Natural Gas
B = LP Gas**

Main component 07 Casing
VKS 47 E, 58 E, 76 E, 93 E (for appliances 03/86 -)
VKS 47/1 E, 58/1 E, 76/1 E, 93/1 E, VK 58/1 E, 76/1 E, 93/1 E

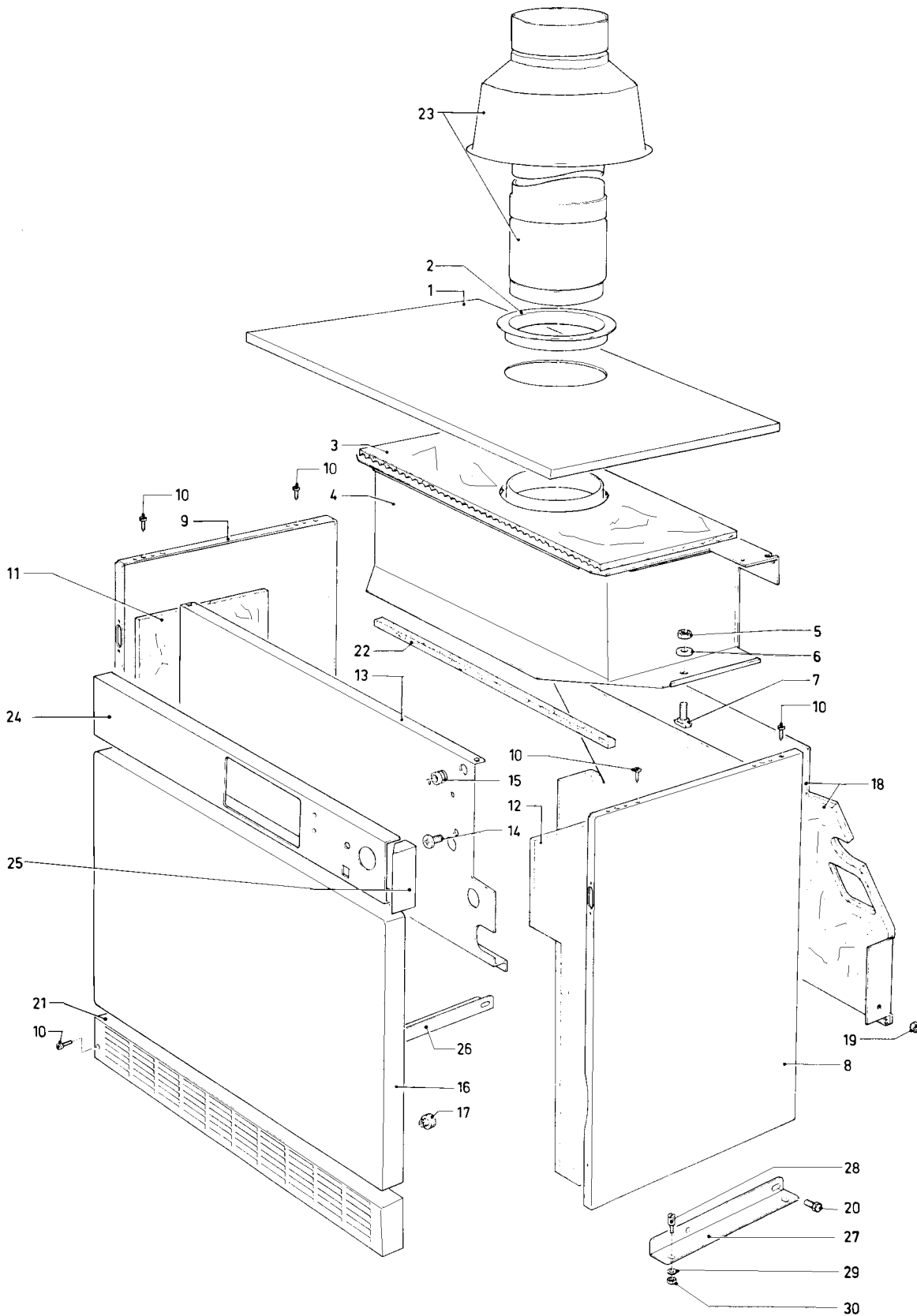


Main component 07 Casing
VKS 47 E, 58 E, 76 E, 93 E (for appliances 03/86 -)
VKS 47/1 E, 58/1 E, 76/1 E, 93/1 E, VK 58/1 E, 76/1 E, 93/1 E

| Pict. No. | Article-No. | Part | Indic. | Type, Remarks |
|-----------|-------------|------------------------|--------|--------------------------------------|
| 1 | 07-0887 | cover | | VKS-VK 47 E, 47/1 E/EU |
| | 07-0888 | cover | | VKS-VK 58 E, 58/1 E/EU |
| | 07-0889 | cover | | VKS-VK 76 E, 76/1 E/EU |
| | 07-0890 | cover | | VKS-VK 93 E, 93/1 E/EU |
| 2 | 28-2265 | ring | | VKS-VK 47 E, 47/1 E/EU |
| | 28-2266 | ring | | VKS-VK 58 E, 58/1 E/EU |
| | 28-2267 | ring | | VKS-VK 76 E, 76/1 E/EU |
| | 28-2277 | ring | | VKS-VK 93 E, 93/1 E/EU |
| 3 | 45-5253 | insulation | | VKS-VK 47 E, 47/1 E/EU |
| | 45-5254 | insulation | | VKS-VK 58 E, 58/1 E/EU |
| | 45-5257 | insulation | | VKS-VK 76 E, 76/1 E/EU |
| | 45-5258 | insulation | | VKS-VK 93 E, 93/1 E/EU |
| - | 45-4335 | aluminium adhesive tie | | for fixing of insulation (not shown) |
| 4 | 45-5235 | flue gas removal | | VKS-VK 47 E, 47/1 E/EU |
| | 45-5236 | flue gas removal | | VKS-VK 58 E, 58/1 E/EU |
| | 45-5239 | flue gas removal | | VKS-VK 76 E, 76/1 E/EU |
| | 45-5240 | flue gas removal | | VKS-VK 93 E, 93/1 E/EU |
| 5 | 11-4888 | nut | | |
| 6 | 19-1411 | disc | | |
| 7 | 07-0028 | retaining bolt | | |
| 8 | 07-9875 | side panel | | |
| 9 | 07-9874 | side panel | | |
| 10 | 49-2147 | screw | | |
| 11 | 45-5259 | insulation | | |
| 12 | 45-5260 | insulation | | |
| 13 | 45-8295 | mounting plate | | VKS-VK 47 E, 47/1 E/EU |
| | 45-8296 | mounting plate | | VKS-VK 58 E, 58/1 E/EU |
| | 45-8297 | mounting plate | | VKS-VK 76 E, 76/1 E/EU |
| | 45-8299 | mounting plate | | VKS-VK 93 E, 93/1 E/EU |
| 14 | 07-0026 | screw | | |
| 15 | 20-1819 | cable grommet | | |
| 16 | 07-0201 | front panel | | VKS-VK 47 E, 47/1 E/EU |
| | 07-0202 | front panel | | VKS-VK 58 E, 58/1 E/EU |
| | 07-0203 | front panel | | VKS-VK 76 E, 76/1 E/EU |
| | 07-0204 | front panel | | VKS-VK 93 E, 93/1 E/EU |
| 17 | 13-7237 | plug | | |
| 18 | 07-1181 | back panel | | VKS-VK 47 E, 47/1 E/EU |
| | 45-5429 | back panel | | VKS-VK 58 E, 58/1 E/EU |
| | 45-5431 | back panel | | VKS-VK 76 E, 76/1 E/EU |
| | 45-5432 | back panel | | VKS-VK 93 E, 93/1 E/EU |
| 19 | 11-4851 | nut | | |
| 20 | 49-0842 | screw | | |

H = Natural Gas
B = LP Gas

Main component 07 Casing
VKS 47 E, 58 E, 76 E, 93 E (for appliances 03/86 -)
VKS 47/1 E, 58/1 E, 76/1 E, 93/1 E, VK 58/1 E, 76/1 E, 93/1 E

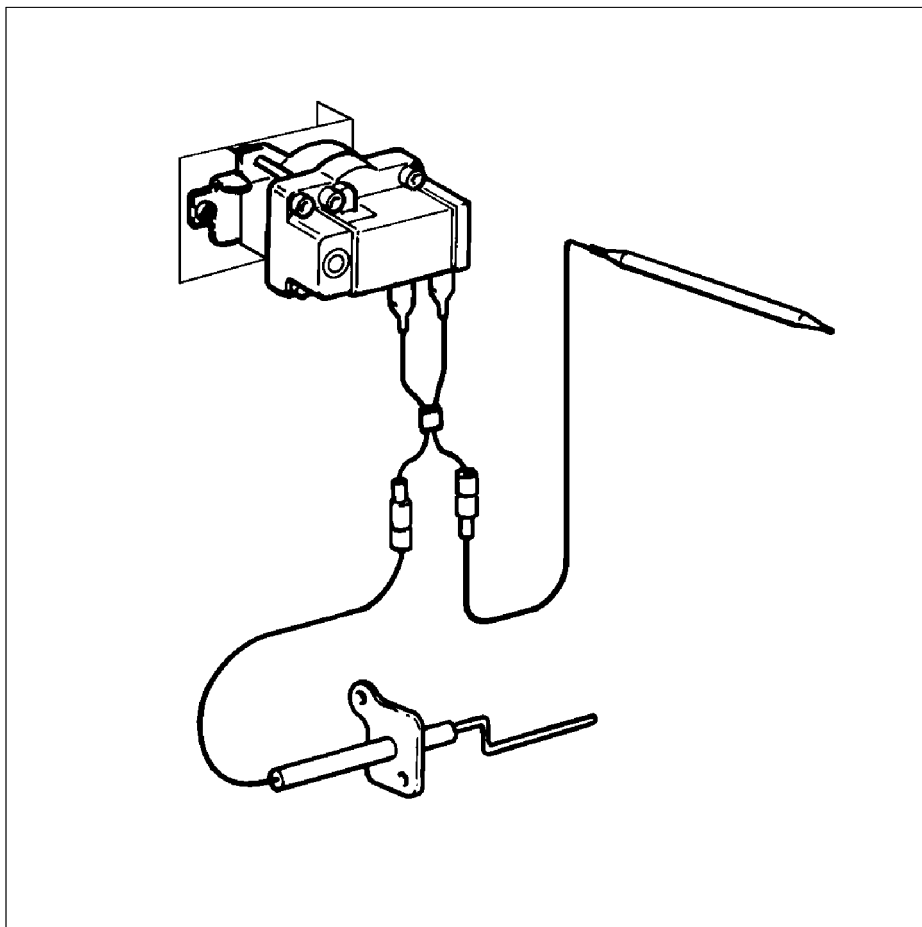


Main component 07 Casing
VKS 47 E, 58 E, 76 E, 93 E (for appliances 03/86 -)
VKS 47/1 E, 58/1 E, 76/1 E, 93/1 E, VK 58/1 E, 76/1 E, 93/1 E

| Pict. No. | Article-No. | Part | Indic. | Type, Remarks |
|-----------|-------------|-------------------|--------|------------------------|
| 21 | 07-5450 | lower front panel | | VKS-VK 47 E, 47/1 E/EU |
| | 07-5451 | lower front panel | | VKS-VK 58 E, 58/1 E/EU |
| | 07-5452 | lower front panel | | VKS-VK 76 E, 76/1 E/EU |
| | 07-5453 | lower front panel | | VKS-VK 93 E, 93/1 E/EU |
| 22 | 45-5265 | insulation | | |
| 23 | 07-4915 | draft diverter | | VKS-VK 47 E, 47/1 E/EU |
| | 07-4916 | draft diverter | | VKS-VK 58 E, 58/1 E/EU |
| | 07-4917 | draft diverter | | VKS-VK 76 E, 76/1 E/EU |
| | 07-4918 | draft diverter | | VKS-VK 93 E, 93/1 E/EU |
| 24 | 07-5454 | upper front panel | | VKS-VK 47 E, 47/1 E/EU |
| | 07-5455 | upper front panel | | VKS-VK 58 E, 58/1 E/EU |
| | 07-5456 | upper front panel | | VKS-VK 76 E, 76/1 E/EU |
| | 07-5457 | upper front panel | | VKS-VK 93 E, 93/1 E/EU |
| 25 | 20-3849 | cap | | |
| 26 | 45-9833 | support | | |
| 27 | 45-9834 | support | | |
| 28 | 49-0529 | screw | | |
| 29 | 28-0706 | washer | | |
| 30 | 07-0007 | nut | | |

H = Natural Gas
B = LP Gas

Main component 10



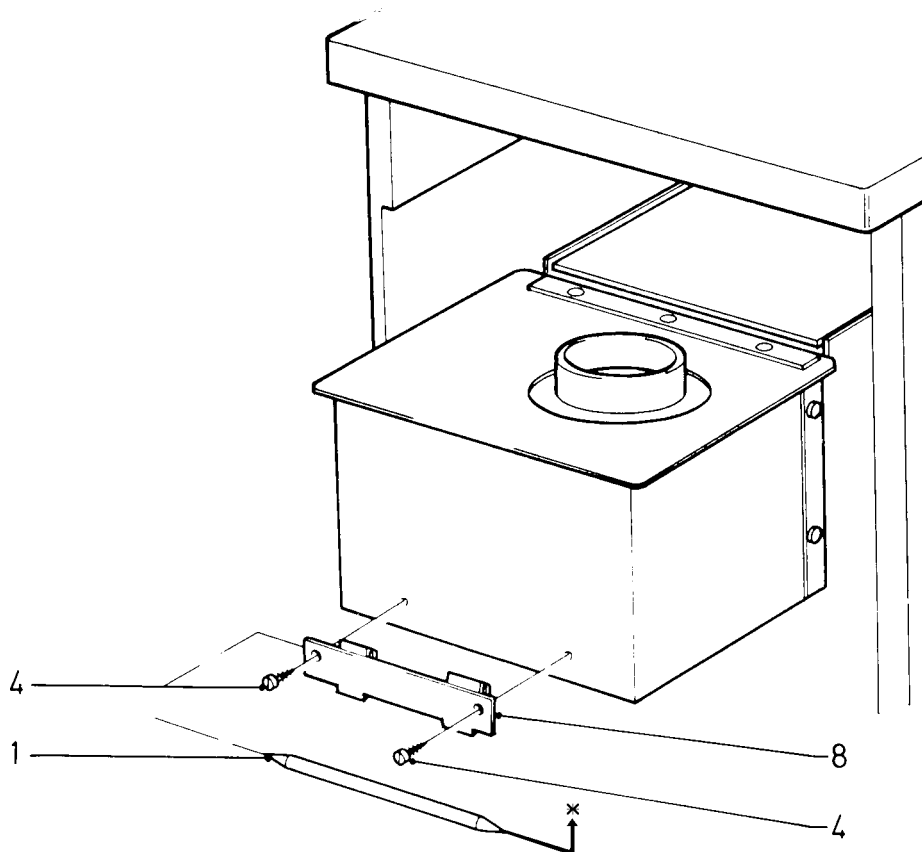
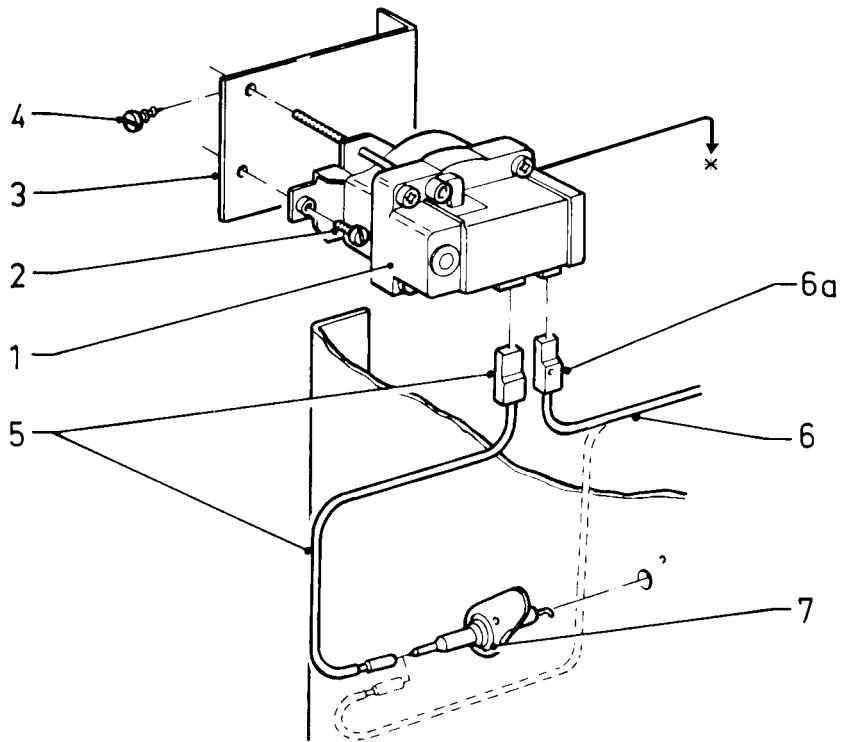
Flue gas sensor

VKS 35/1 E, 41/1 E, 48/1 E, VK 35/1 E, 41/1 E, 48/1 E

Page

42 - 43

Main component 10 Flue gas sensor
VKS 35/1 E, 41/1 E, 48/1 E
VK 35/1 E, 41/1 E, 48/1 E

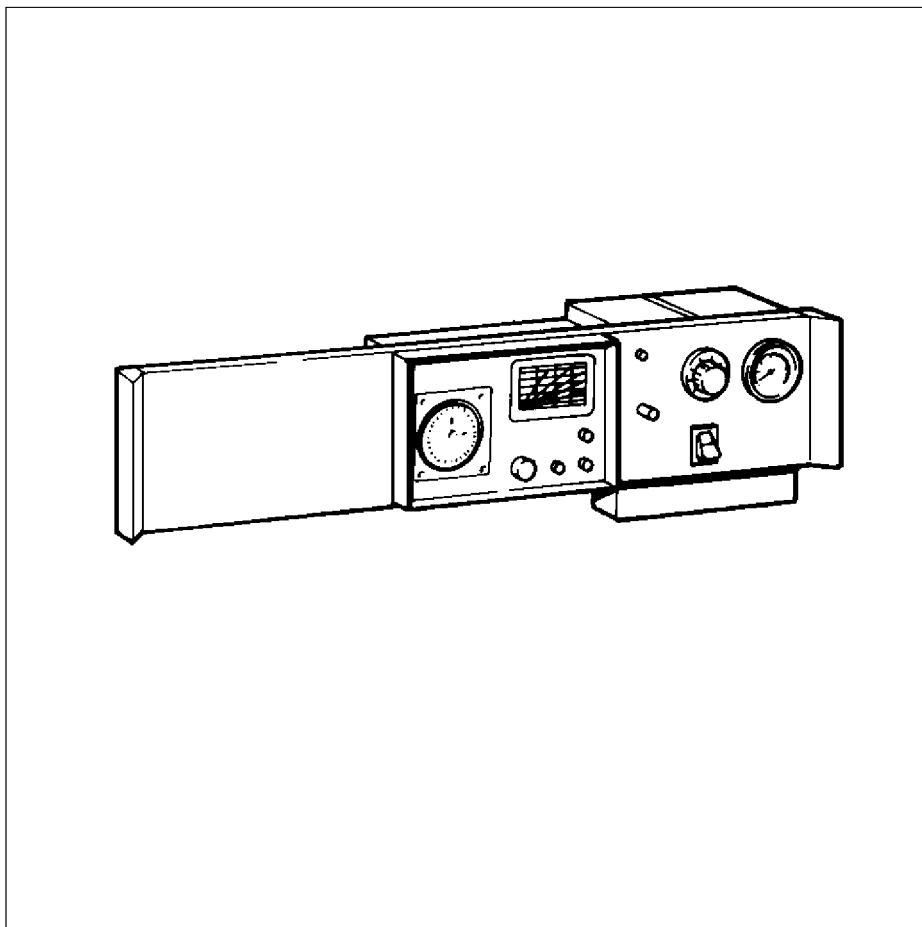


Main component 10 Flue gas sensor
VKS 35/1 E, 41/1 E, 48/1 E
VK 35/1 E, 41/1 E, 48/1 E

| Pict. No. | Article-No. | Part | Indic. | Type, Remarks |
|-----------|-------------|---------------------|--------|-----------------|
| 1 | 10-0334 | temperature limiter | | |
| 2 | 06-0018 | screw | | |
| 3 | 08-5821 | support | | |
| 4 | 08-8624 | screw | | |
| 5 | 08-4491 | connection line | | |
| 6 | 08-4467 | connection line | | without part 6a |
| 6a | 25-2776 | plug | | |
| 7 | 09-0686 | control electrode | | |
| 8 | 16-3483 | support | | |
| - | 28-9730 | clip for cables | | } not shown |
| | 28-8412 | cable tie | | |

H = Natural Gas
B = LP Gas

Main component 12

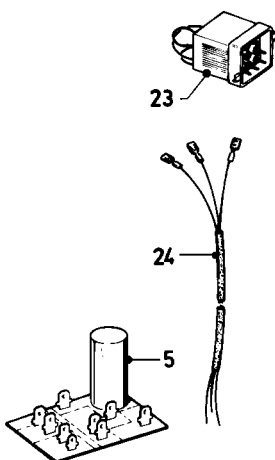
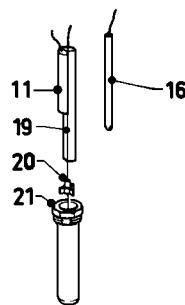
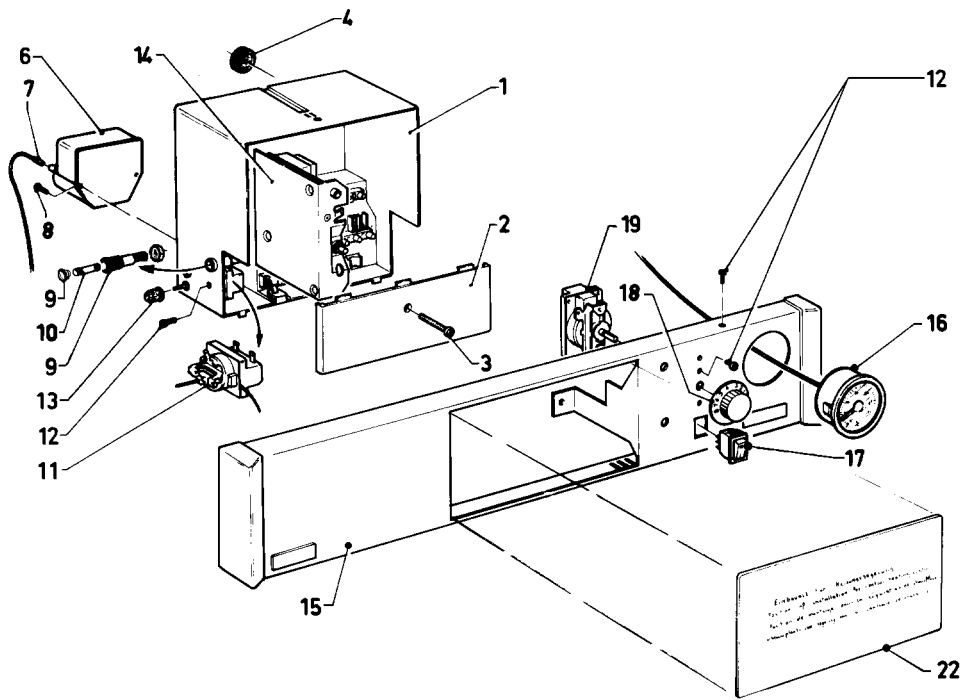


| | Page |
|--|-------------|
| Control panel VKS 35 E, 41 E VKS 47 E, 58 E, 76 E, 93 E | 46 - 47 |
| Control panel VKS 35/1 E, 41/1 E, 48/1 E VK 35/1 E, 41/1 E, 48/1 E VKS 47/1 E, 58/1 E, 76/1 E, 93/1 E VK 58/1 E, 76/1 E, 93/1 E (for appliances without extra-transformer until 09/90) | 48 - 49 |
| Control panel VK 35/1 E, 41/1 E, 48/1 E, 58/1 E, 76/1 E, 93/1 E (INT execution with extra-transformer 09/90 -) | 50 - 51 |
| Electronic board VRC-CB (Acc. 9690) | 52 - 53 |

Main component 12 Control panel

VKS 35 E, 41 E

VKS 47 E, 58 E, 76 E, 93 E



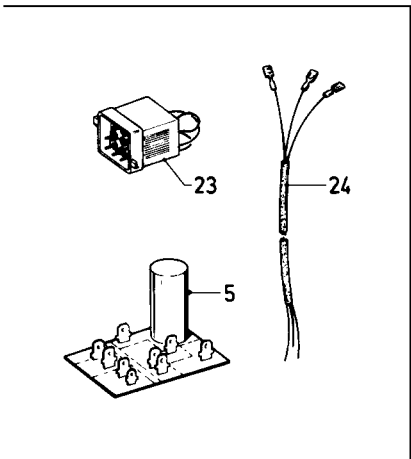
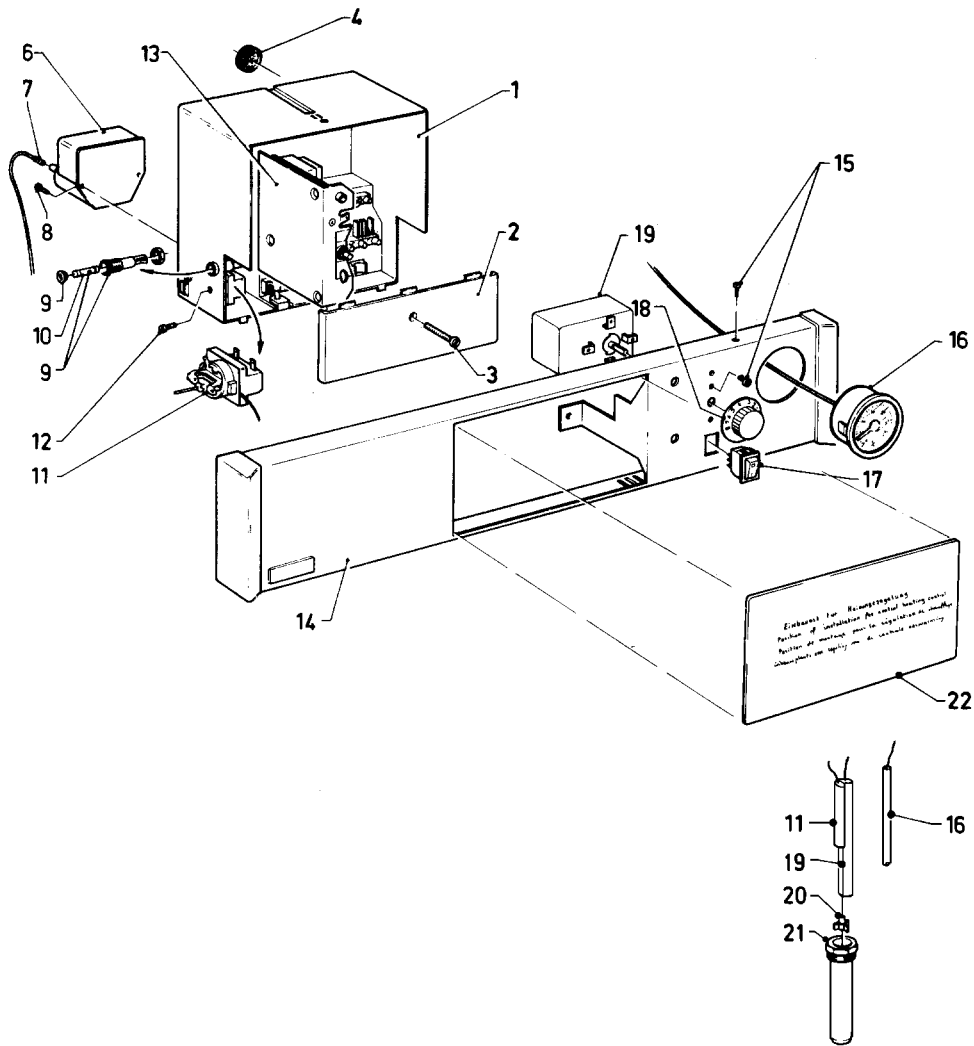
03-12-002

Main component 12 Control panel
VKS 35 E, 41 E
VKS 47 E, 58 E, 76 E, 93 E

| Pict. No. | Article-No. | Part | Indic. | Type, Remarks |
|-----------|-------------|--------------------------------|--------|--|
| 1 | 12-1056 | casing | | } not shown |
| - | 25-1124 | terminal strip (4 terminals) | | |
| - | 12-0068 | terminal strip (6 terminals) | | |
| 2 | 20-1678 | cover | | |
| 3 | 10-5783 | screw | | |
| 4 | 12-0065 | cable grommet | | |
| 5 | 13-0274 | printed circuit board | | condensor |
| 6 | 09-1233 | ignition transformer | | |
| 7 | 09-1514 | ignition wire | | |
| 8 | 08-8624 | screw | | |
| 9 | 25-2020 | fuse-holder | | with part 10 |
| 10 | 13-0037 | fuse (2.0 A/250 V) | | |
| 11 | 10-1386 | over-heat limiter | | |
| 12 | 06-0018 | screw | | |
| 13 | 13-7234 | plug | | |
| 14 | 10-0554 | flame supervision device | | |
| - | 25-5821 | cable tree | | to flame supervision device (not shown) |
| 15 | - | upper front panel | | see main component 07 page 26 onwards |
| 16 | 10-1534 | thermometer | | |
| 17 | 25-1777 | switch | | |
| 18 | 14-3950 | knob | | |
| 19 | 10-1475 | temperature regulator | | |
| 20 | 19-5116 | inset | | |
| 21 | 06-0058 | protective housing | | |
| 22 | 07-0582 | cover | | |
| 23 | 25-2773 | link | | for appliances without electronic board |
| 24 | 08-4462 | connection line | | to gas section |
| | 08-4463 | connection line | | to gas pressure monitor |
| | 08-4464 | connection line (yellow-green) | | to boiler section |
| | - | connection line (white) | | old execution, connecting ignition transformer with burner plate, is no longer available, please order double ignition electrode article-no. 09-0671 (see main component 04) |
| | 08-4467 | connection line | | to control electrode |
| - | 95-0355 | adhesive clip for cables | | } not shown |
| | 28-8412 | cable tie | | |

H = Natural Gas
B = LP Gas

Main component 12 Control panel
VKS 35/1 E, 41/1 E, 48/1 E, VK 35/1 E, 41/1 E, 48/1 E
VKS 47/1 E, 58/1 E, 76/1 E, 93/1 E, VK 58/1 E, 76/1 E, 93/1 E
(for appliances without extra-transformer until 09/90)



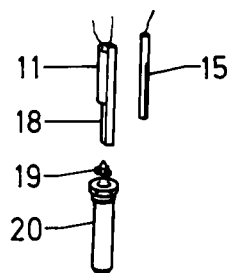
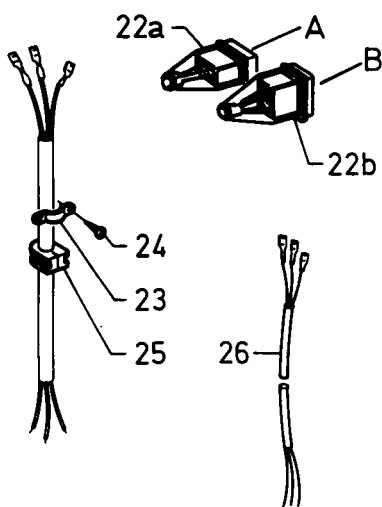
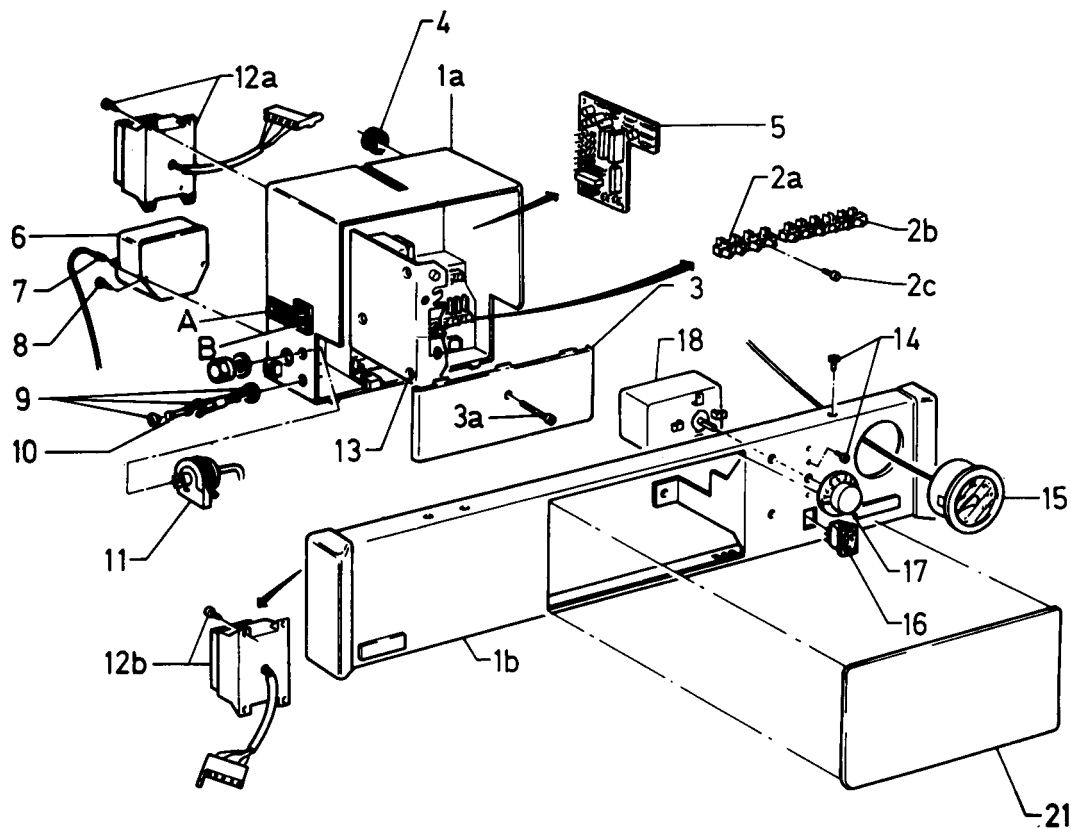
03-12-003

Main component 12 Control panel
VKS 35/1 E, 41/1 E, 48/1 E, VK 35/1 E, 41/1 E, 48/1 E
VKS 47/1 E, 58/1 E, 76/1 E, 93/1 E, VK 58/1 E, 76/1 E, 93/1 E
(for appliances without extra-transformer until 09/90)

| Pict. No. | Article-No. | Part | Indic. | Type, Remarks |
|-----------|-------------|--------------------------------|--------|---|
| 1 | 12-1056 | casing | | } not shown |
| - | 25-1124 | terminal strip (4 terminals) | | |
| | 12-0068 | terminal strip (6 terminals) | | |
| 2 | 20-1678 | cover | | |
| 3 | 10-5783 | screw | | |
| 4 | 12-0065 | cable grommet | | |
| 5 | 13-0274 | printed circuit board | | condensor |
| 6 | 09-1241 | ignition transformer | | |
| 7 | 09-1514 | ignition wire | | |
| 8 | 08-8624 | screw | | |
| 9 | 25-2020 | fuse-holder | | with part 10 |
| 10 | 13-0037 | fuse (2.0 A/250 V) | | |
| 11 | 10-1386 | over-heat limiter | | |
| 12 | 06-0018 | screw | | |
| 13 | 10-0554 | flame supervision device | | |
| - | 25-5821 | cable tree | | to flame supervision device (not shown) |
| 14 | - | upper front panel | | see main component 07 page 28 onwards |
| 15 | 06-0018 | screw | | |
| 16 | 10-1534 | thermometer | | |
| 17 | 25-1777 | switch | | |
| 18 | 14-3950 | knob | | |
| 19 | 10-1475 | temperature regulator | | |
| 20 | 19-5116 | inset | | |
| 21 | 06-0058 | protective housing | | |
| 22 | 07-0582 | cover | | |
| 23 | 25-2773 | link | | for appliances without electronic board |
| 24 | 08-4462 | connection line | | to gas section |
| | 08-4463 | connection line | | to gas pressure monitor |
| | 08-4464 | connection line (yellow-green) | | to boiler section |
| | 08-4467 | connection line | | to control electrode |
| - | 28-9730 | clip for cables | | } not shown |
| | 28-8412 | cable tie | | |

H = Natural Gas
B = LP Gas

Main component 12 Control panel
VK 35/1 E, 41/1 E, 48/1 E, 58/1 E, 76/1 E, 93/1 E
(INT execution with extra-transformer 09/90 -)



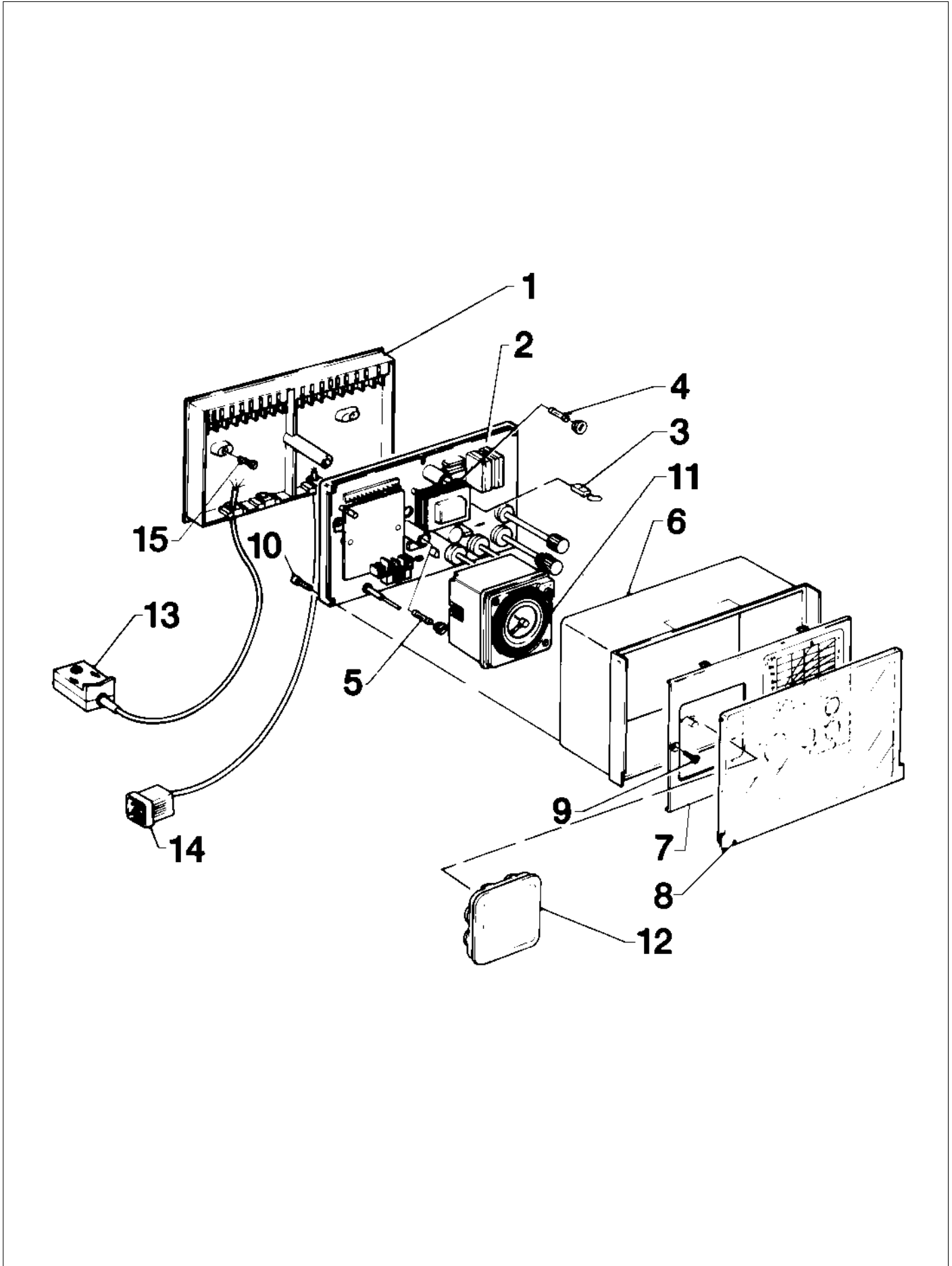
03-12-004

Main component 12 Control panel
VK 35/1 E, 41/1 E, 48/1 E, 58/1 E, 76/1 E, 93/1 E
(INT execution with extra-transformer 09/90 -)

| Pict. No. | Article-No. | Part | Indic. | Type, Remarks |
|-----------|-------------|--------------------------------|--------|---|
| 1a | 12-0921 | Control box | | VK 35/1 E, 41/1 E, 48/1 E (with parts 2, 4-8, 9-13, 22-25) |
| 1b | 25-7522 | Control panel | | VK 58/1 E VK 76/1 E VK 93/1 E } with parts 1a, 2-11, 12b, 13-18, 21-26 |
| | 25-7523 | Control panel | | |
| | 25-7524 | Control panel | | |
| 2a | 25-1124 | terminal strip (4 terminals) | | |
| 2b | 12-0068 | terminal strip (6 terminals) | | |
| 2c | 49-2226 | screw | | |
| 3 | 20-1678 | cover | | |
| 3a | 10-5783 | screw | | |
| 4 | 12-0065 | cable grommet | | |
| 5 | 13-0328 | printed circuit | | |
| 6 | 09-1241 | ignition transformer | | |
| 7 | 09-1514 | ignition wire | | |
| 8 | 08-8624 | screw | | |
| 9 | 25-2027 | fuse-holder | | |
| 10 | 13-0037 | fuse (2.0 A/250 V) | | |
| 11 | 10-0365 | over-heat limiter | | |
| 12a | 28-7429 | transformer | | VK 35/1 E, 41/1 E, 48/1 E |
| 12b | 28-7430 | transformer | | VK 58/1 E, 76/1 E, 93/1 E |
| 13 | 10-0554 | flame supervision device | | |
| 14 | 06-0018 | screw | | |
| 15 | 10-1534 | thermometer | | |
| 16 | 25-1777 | switch | | |
| 17 | 14-3950 | knob | | |
| 18 | 10-1713 | temperature regulator | | |
| 19 | 19-5116 | inset | | |
| 20 | 06-0058 | protective housing | | |
| 21 | 07-0582 | cover | | |
| 22a | 25-2773 | link | | |
| 22b | 25-2764 | link | | |
| 23 | 18-8642 | clamp | | |
| 24 | 13-0005 | screw | | |
| 25 | 20-1849 | cable bushing | | |
| 26 | 08-4462 | connection line | | to gas section |
| | 08-4463 | connection line | | to gas pressure monitor |
| | 08-4464 | connection line (yellow-green) | | to boiler section |
| | 08-4467 | connection line | | to control electrode |
| - | 28-9730 | clip for cables | | } not shown |
| | 28-8412 | cable tie | | |

| |
|---|
| H = Natural Gas B = LP Gas |
|---|

**Main component 12 Electronic board
VRC-CB (Acc. 9690)**



Main component 12 Electronic board VRC-CB (Acc. 9690)

| Pict. No. | Article-No. | Part | Indic. | Type, Remarks |
|-----------|-------------|------------------------------|--------|---|
| 1 | - | panel | | available as accessory 9573 (with part 14) with parts 3 - 10 |
| 2 | 25-2934 | electronic board | | |
| 3 | 25-0790 | link | | |
| 4 | 13-0037 | fuse (T 2.0/250 V) | | |
| 5 | 25-1913 | fuse (T 0,2/250 V) | | |
| 6 | 13-6950 | casing | | |
| 7 | 07-1407 | orifice | | |
| 8 | 07-2323 | cover | | |
| 9 | 23-5742 | screw | | |
| 10 | 23-5723 | screw | | |
| 11 | - | quartz-clocks | | see accessories VRC 9654/9567 |
| 12 | 20-1623 | cover | | |
| 13 | - | sensors | | see accessories VRC 692/693 |
| 14 | - | single delivery not possible | | |
| 15 | 50-0056 | screw | | |

H = Natural Gas
B = LP Gas